

Cupboard fans VEF 1, VEF 2, VEF 4

GB	Installation and Service	2	DE	Betriebs- und Wartungsanleitung.....	42
SV	Installation och Service	22	NO	Montasje og service.....	62

Document translated from English | 211934 · A006



© Copyright Systemair UAB

All rights reserved

E&OE

Systemair UAB reserves the rights to change their products without notice.

This also applies to products already ordered, as long as it does not affect the previously agreed specifications.

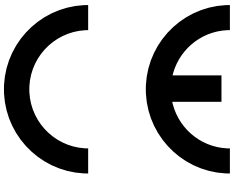
Systemair is not liable or bound by the warranty if these instructions are not adhered to during installation or service.

Contents

1	Declaration of Conformity	5
2	Warnings.....	6
3	Product information	6
3.1	General.....	6
3.2	Technical data	6
3.2.1	Dimensions and weight	7
3.2.2	Duct connections.....	8
3.2.3	Performance	8
3.2.4	Wiring diagram	9
3.3	Transportation and storage.....	10
4	Installation.....	10
4.1	Installing the fans	10
5	Commissioning	12
6	Maintenance	13
6.1	Important	13
6.2	Maintenance intervals	13
6.3	Cleaning the fan.....	13
7	Troubleshooting.....	15
8	Accessories.....	15
8.1	Controllers.....	15
8.1.1	MTP 10/10K Proportional speed controller	15
8.1.2	MTP 20 3-Step Controller	15
8.1.3	Humidity - Demand control	16
8.1.4	CO2 - Demand control	17
8.2	Cooker hoods	17
8.2.1	251-14 EC	18
8.2.2	392-14 Slimline EC	19

1 Declaration of Conformity

Manufacturer



Systemair UAB
 Linų st. 101
 LT-20174 Ukmergė, LITHUANIA
 Office: +370 340 60165 Fax: +370 340 60166
 www.systemair.com

hereby confirms that the following products:

VEF 1, VEF 2, VEF 4

(The declaration applies only to product in the condition it was delivered in and installed in the facility in accordance with the included installation instructions. The insurance does not cover components that are added or actions carried out subsequently on the product).

Comply with all applicable requirements in the following directives:

- Machinery Directive 2006/42/EC
- Low Voltage Directive 2014/35/EU
- EMC Directive 2014/30/EU
- Ecodesign Directive 2009/125/EC

The following regulations are applied in applicable parts:

1253/2014	Requirements for ventilation units
1254/2014	Energy labelling of residential ventilation units
327/2011	Requirements for fans above 125 W

The following harmonized standards are applied in applicable parts:

EN ISO 12100:2010	Safety of machinery - General principles for design - Risk assessment and risk reduction
EN 13857	Safety of machinery - Safety distances to prevent hazard zones being reached by upper or lower limbs
EN 60 335-1	Household and similar electrical appliances - Safety Part 1: General requirements
EN 60 335-2-40	Safety of household and similar electrical appliances - Part 2-40: Particular requirements for electrical heat pumps, air-conditioners and dehumidifiers
EN 62233	Measurement methods for electromagnetic fields of household appliances and similar apparatus with regard to human exposure
EN 50 106:2007	Safety of household and similar appliances - Particular rules for routine tests referring to appliances under the scope of EN 60 335-1 and EN 60967
EN 61000-6-2	Electromagnetic compatibility (EMC) - Part 6-2: Generic standards - Immunity for industrial environments
EN 61000-6-3	Electromagnetic compatibility (EMC) - Part 6-3: Generic standards - Emission standards for residential, commercial and light-industrial environments

Skinnskatteberg, 21-09-2017

Mats Sándor

Technical Director

2 Warnings

The following admonitions will be presented in the different sections of the document:



Danger

Indicates a potentially or imminently hazardous situation which, if not avoided, could result in death or serious injury.



Warning

Indicates a potentially hazardous situation that may result in minor or moderate injuries.



Caution

Indicates a risk of damaging the product or prevent optimal operation.

3 Product information



Caution

- Take precautions to prevent the back flow of exhaust gases from flues from other appliances installed in the same room, which are fired by gas or other fuels.
- This appliance can be used by children aged from 8 years and above and persons with reduced physical, sensory or mental capabilities or lack of experience and knowledge if they have been given supervision or instruction concerning use of the appliance in a safe way and understand the hazards involved. Children shall not play with the appliance. Cleaning and user maintenance shall not be made by children without supervision.

3.1 General

This installation manual concerns VEF 1, VEF 2, VEF 4 manufactured by Systemair UAB.

The cupboard fans are delivered with potentiometer, 0-10 V. The integrated potentiometer is factory preset to 10 V. This value can be changed manually to obtain a different motor rpm/fan performance. An external potentiometer can be connected if necessary. If so the internal potentiometer needs to be disconnected from the connection terminals.

This manual consists of basic information and recommendations concerning the design, installation, start-up and operation, to ensure a proper fail-free operation of the unit. The key to proper and safe operating of the unit is to read this manual thoroughly, use the unit according to given guidelines and follow all safety requirements.

Cupboard fans are intended for transportation of air in air handling systems. The fans are meant for use in ducted systems and should always be duct connected on the inlet side. No moving parts shall be accessible after installation. Cupboard fans are adapted to continuous operation.

Product and article number:

- VEF 1 – 88685
- VEF 2 – 88684
- VEF 4 – 88686

3.2 Technical data

Safe operating temperature is from -25 °C to +40 °C.

3.2.1 Dimensions and weight

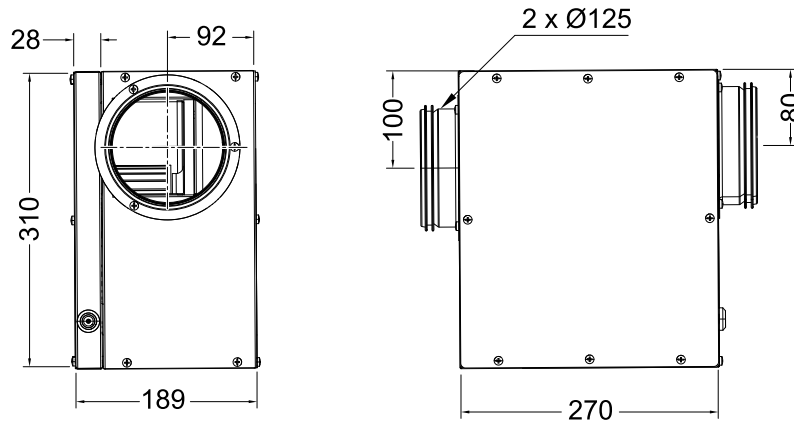


Fig. 1 Dimensions of VEF 1 cupboard fan

The weight of VEF 1 cupboard fan is 6,25 kg.

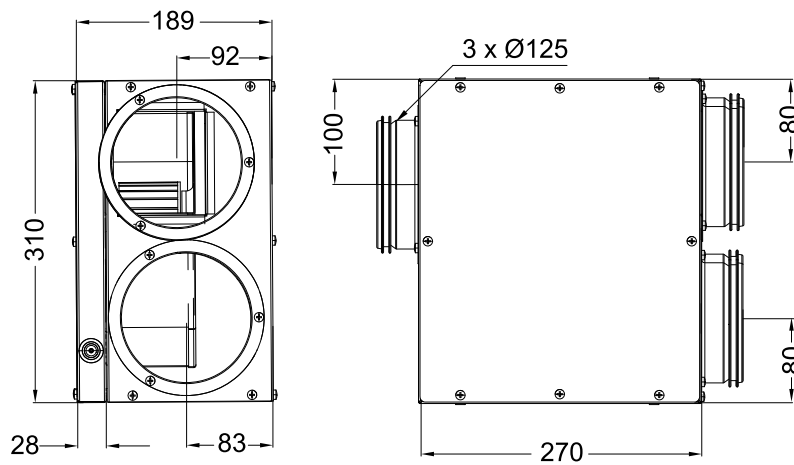


Fig. 2 Dimensions of VEF 2 cupboard fan

The weight of VEF 2 cupboard fan is 6,25 kg.

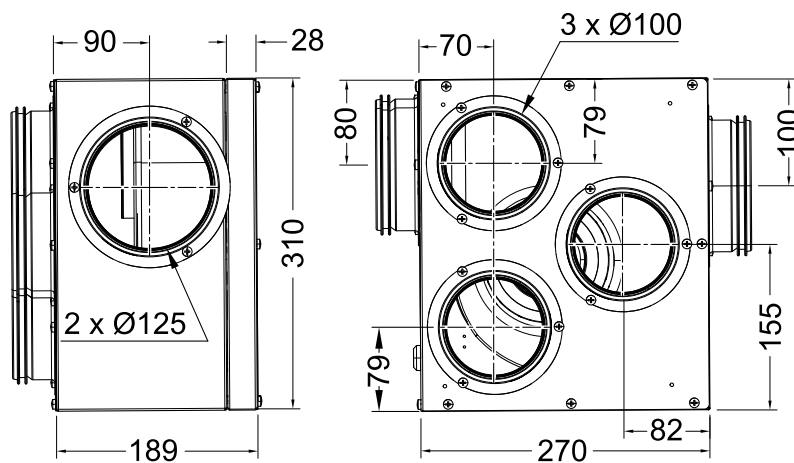
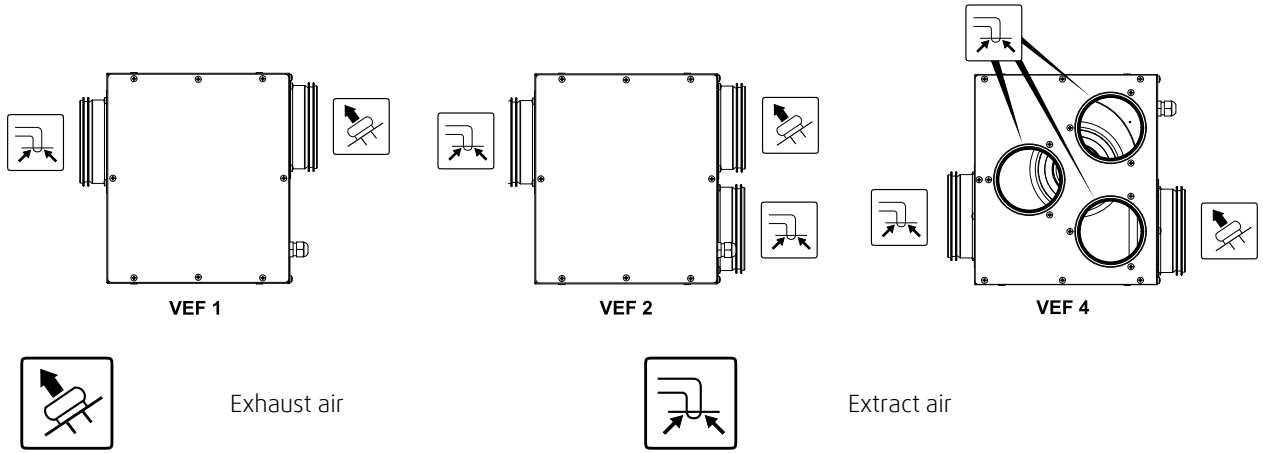


Fig. 3 Dimensions of VEF 4 cupboard fan

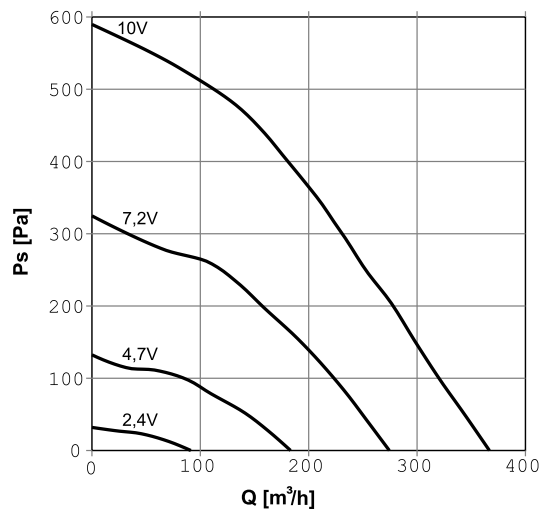
The weight of VEF 4 cupboard fan is 6,335 kg.

3.2.2 Duct connections

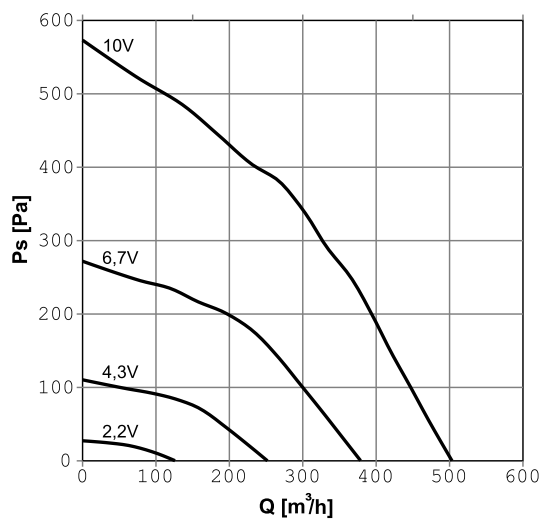


3.2.3 Performance

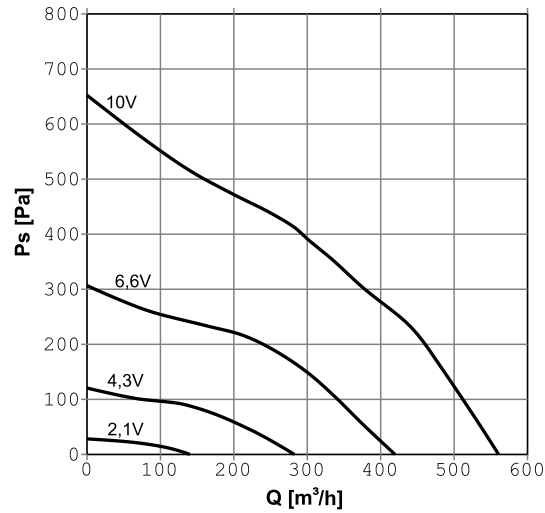
3.2.3.1 VEF 1 performance curves



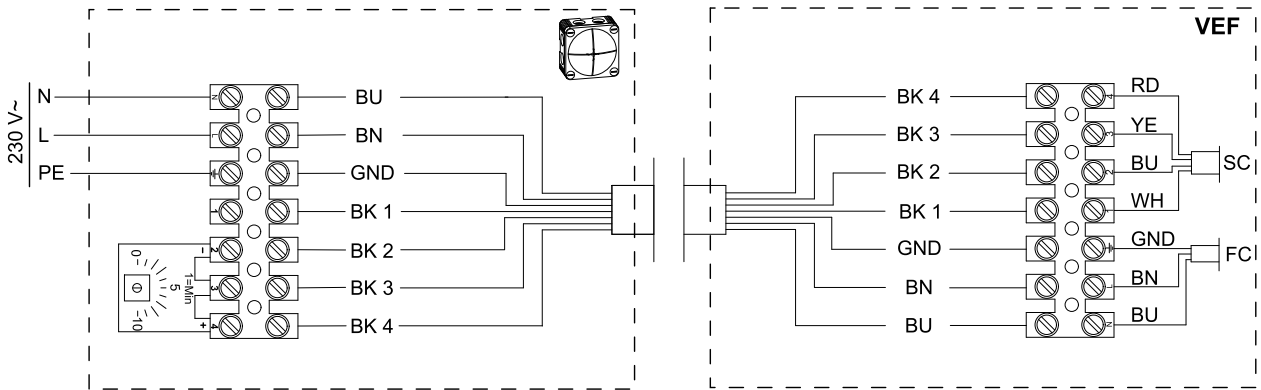
3.2.3.2 VEF 2 performance curves



3.2.3.3 VEF 4 performance curves



3.2.4 Wiring diagram



L	Supply connection, power supply, phase, see nameplate for voltage range
N	Supply connection, power supply, neutral conductor, see nameplate for voltage range
PE	Ground connection
1	Not used. Tach output, open collector, 1 pulse per revolution, max = 10 mA, SELV
2 (-)	Reference ground for control interface, SELV
3	0-10 V / PWM control input, Ri=100 kΩ, SELV
4 (+)	Fixed voltage output 10 VDC +/-3 %, max. 10 mA, short-circuit-proof, power supply for ext. devices, SELV
BU	Blue
BN	Brown
BK	Black
GND	Ground
RD	Red
YE	Yellow
WH	White
SC	Signal cable
FC	Fan cable

3.3 Transportation and storage

All fans are packaged at the factory to withstand normal transport handling. When handling the goods use suitable lifting equipment in order to avoid damage to fans and personnel. Avoid blows and shock loads. Store the fans in a dry place protected from weather and dirt until final installation.



Warning

- The unit is heavy. Be careful during transport and installation. Risk of injury through pinching. Use protective clothing.
- Do not lift the fans by the connecting cable, connection box, motor bracket, impeller or inlet cone.

4 Installation



Danger

- Make sure that the mains supply to the unit is disconnected before performing any maintenance or electrical work!
- All electrical connections must be carried out by an authorized installer and in accordance with local rules and regulations.



Warning

- The units electrical connection to the mains supply must be preceded by an all pole circuit breaker with a minimum 3 mm gap.
- Do not lift the fans by the connecting cable, connection box, motor bracket, impeller or inlet cone.
- The fans are not to be used in hazardous environments or connected to flue ducts.
- The appliance must be connected to a mains circuit breaker in the fixed installation.

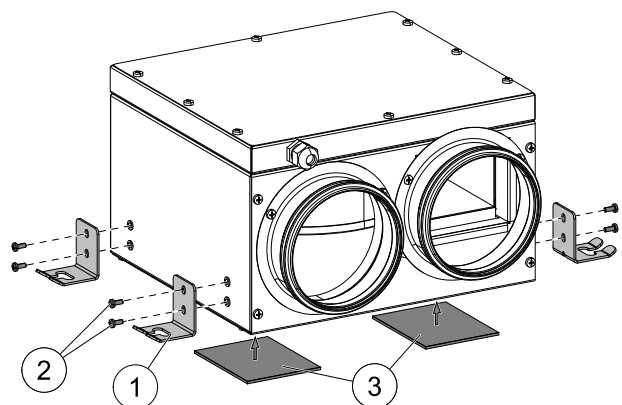


Caution

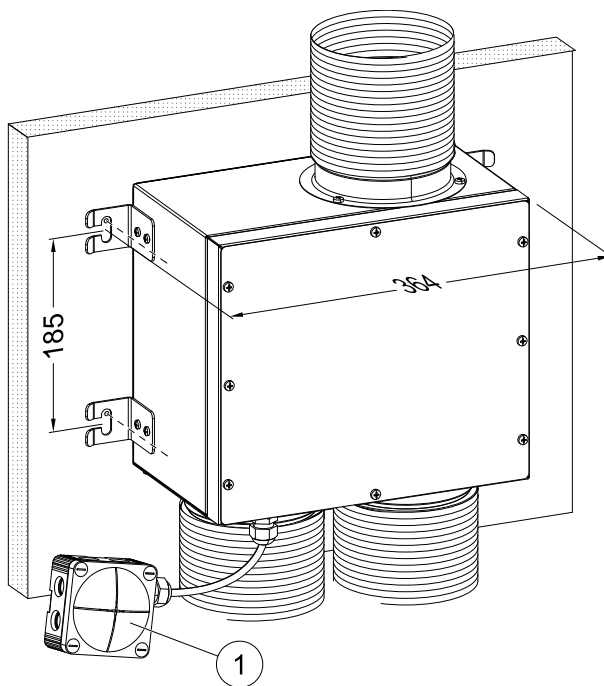
- Make sure protection grid has been installed (EN ISO 13857), no moving parts shall be accessible after installation.
- Do not remove, short-circuit or disconnect safety accessories (i.e. motor protection, safety grille).

4.1 Installing the fans

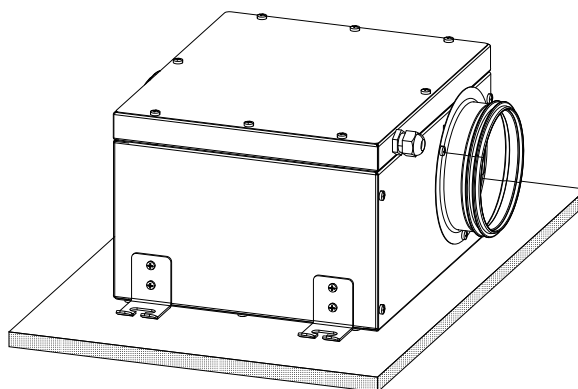
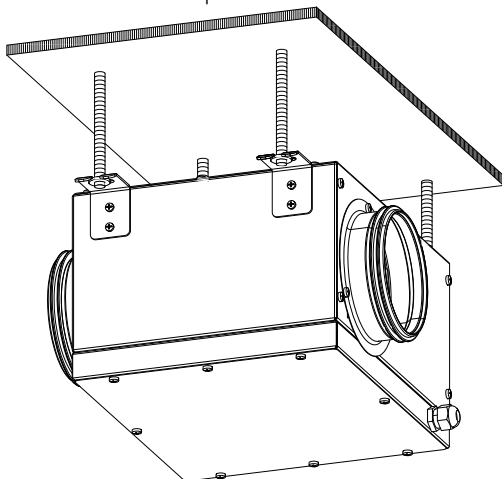
- 1 Install four mounting brackets (pos. 1) to dedicated positions on the sides of fan housing. Use included screws (pos. 2). This step can be skipped in case mounting brackets will not be used for installation. Stick the enclosed self adhesive anti-vibration rubbers on the cupboard fan.



- 2 Install the cupboard fan in your desired place. The cupboard fan can be installed in any position and place: floor, wall, ceiling. Remove the cover of junction box (pos. 1) by turning four locks in each corner from position 1 to 0.



Other installation options:

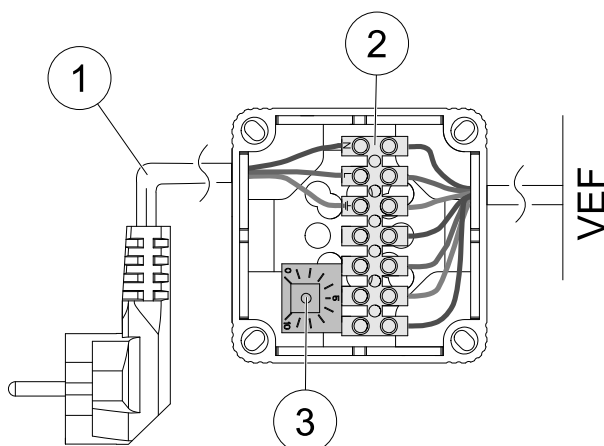


- 3 Lead the power supply cable (pos. 1) through the hole on the side of junction box. Connect wires to the terminal block (pos. 2) according to wiring diagram (3.2.4 *Wiring diagram*, page 9).

Fan speed can be increased or reduced by turning rotating contact on the potentiometer (pos. 3) to different position from 1 to 10.

- 1 – minimum speed
- 10 – maximum speed

- 4 Place back the cover of junction box and lock it.



5 Commissioning



Danger

- All electrical connections must be carried out by an authorized installer and in accordance with local rules and regulations.

Before initial operation, check the following:

- Electrical connection has been properly completed.
- Protective earth has been connected.
- Safety devices in place (protection grid).
- Leftover installation materials and foreign materials have been removed from the casing.

Testing the installation:

- Adjustment may be required in the electrical compartment during test (i.e. changing of the potentiometer), however during operation the lid must be closed.

When putting into operation, check the following:

- Connection data corresponds to the specifications on the nameplate: Maximum voltage +6%, -10%, according to IEC 38. Rated current must not be exceeded with more than 5% at rated voltage.
- The direction of rotation should correspond to direction-of-rotation arrow (3 phase).
- Smoothness of motor operation, (no abnormal noises).

6 Maintenance

6.1 Important



Danger

- Switch power off (all-pole circuit breaker) before servicing or maintenance, and make sure the impeller has come to standstill.
- Make sure that the mains supply to the unit is disconnected before performing any maintenance or electrical work!
- Do not remove, short-circuit or disconnect safety accessories (i.e. motor protection, safety grille).
- Fan impeller has come to a complete standstill.
- Should the supply cable be damaged, it must be replaced by the manufacturer, its service agent or similarly qualified persons in order to avoid a hazard
- The unit is heavy. Be careful during transport and installation. Risk of injury through pinching. Use protective clothing.
- Do not lift the fans by the connecting cable, connection box, motor bracket, impeller or inlet cone.

6.2 Maintenance intervals

The fan should be cleaned when necessary, at least once a year to avoid imbalance and unnecessary damage to the bearings. The fan bearings are maintenance free and should only be replaced if damaged. Do not use a high-pressure cleaner (steam jet) when cleaning the fan. Ensure that the fan impeller's balance weights are not moved or the fan impeller distorted. Listen for abnormal operating noise.

6.3 Cleaning the fan



Warning

- Make sure that the mains supply to the unit is disconnected before performing any maintenance or electrical work!
- Fan impeller has come to a complete standstill.
- The unit is heavy. Make sure that the motor bracket attach to the lock to prevent the motor to fall down during maintenance.



Danger

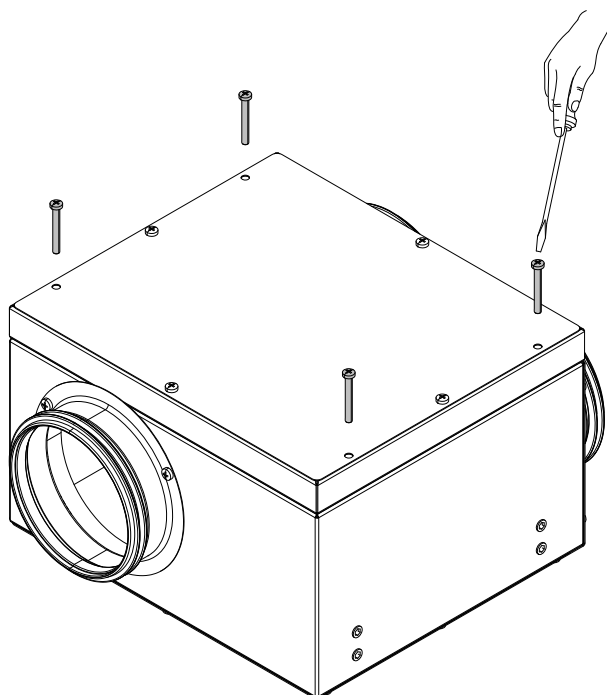
- Make sure that the motor does not fall down.



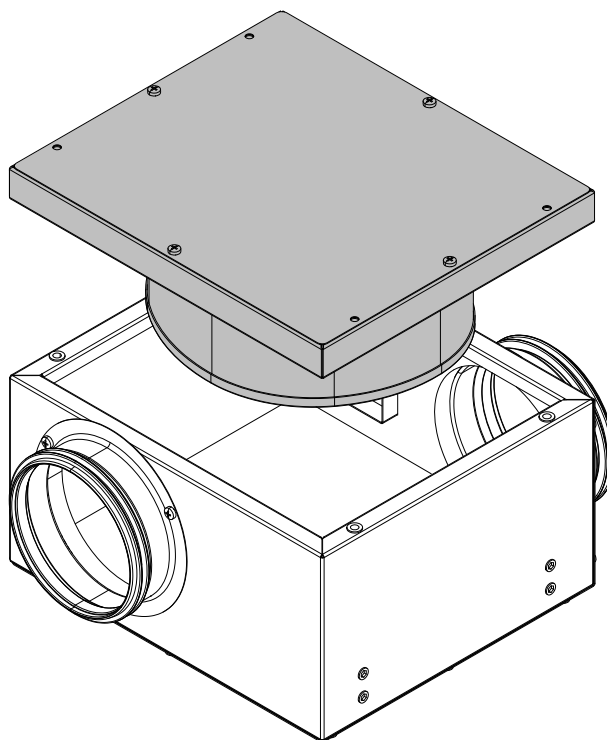
Caution

- Beware of sharp edges during maintenance, use protective gloves. Risk of injury through pinching.
- The fans can have sharp edges and corners which may cause injuries. Be careful when opening the fans, the motor assembled on the motor bracket is relatively heavy.

- 1 Remove four screws closest to each corner.



- 2 Carefully lift the cover. Clean the fan.
- 3 Place back the cover and secure it with previously removed screws.



7 Troubleshooting

The following applies in case the fan has stopped:

- Try to restart the fan by cutting the power a couple of minutes.
- Ensure that the impeller is not locked. Disconnect the power supply, remove any obstacles. Check that the fan starts after reconnecting the current. Should the fan not start please contact your place of purchase.

8 Accessories



Danger

- Make sure that the mains supply to the unit is disconnected before performing any maintenance or electrical work!
- All electrical connections must be carried out by an authorized installer and in accordance with local rules and regulations.

8.1 Controllers

8.1.1 MTP 10/10K Proportional speed controller

Speed controller for the manual control of speed and airflow of Cupboard fans.

Component/product – Article number:

- MTP 10, 10K, Speed control – 32731

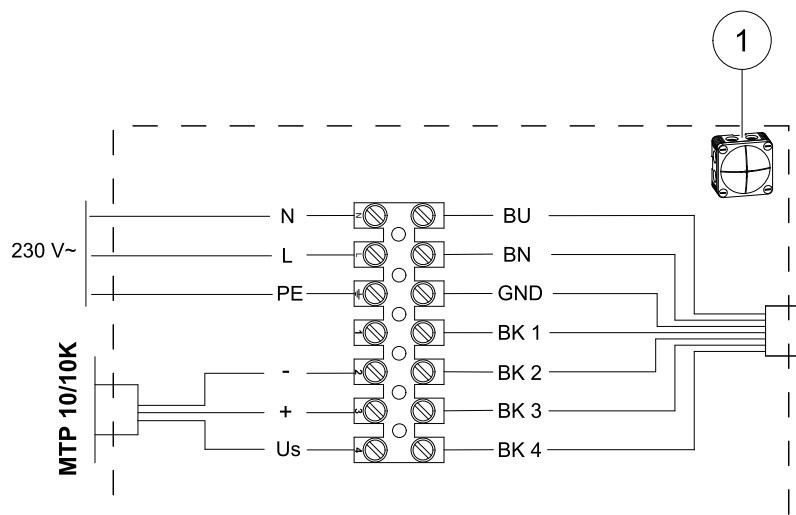


Fig. 4 Controller connection

Installation and connection

1. Remove the cover of junction box (pos. 1) by turning four locks in each corner from position 1 to 0.
 2. Pull out potentiometer connected to sockets 2, 3 and 4 on the terminal block.
 3. Connect + (4) on the accessory to socket 3 on the terminal block.
 4. Connect - (5) on the accessory to socket 2 on the terminal block.
 5. Connect Us marked wire to socket 4 on the terminal block.
 6. Place back the cover of junction box and lock it.
- Cupboard fans can be controlled with an external controller now.

8.1.2 MTP 20 3-Step Controller

A 3-step potentiometer for speed control with on and off function. The 10 V supply voltage is converted into three steps to obtain a minimum, mid and maximum position. Position 1 and 2 can be adjusted to environment requirements.

Component/product – Article number:

- MTP 20, on/off, 3-step – 310220

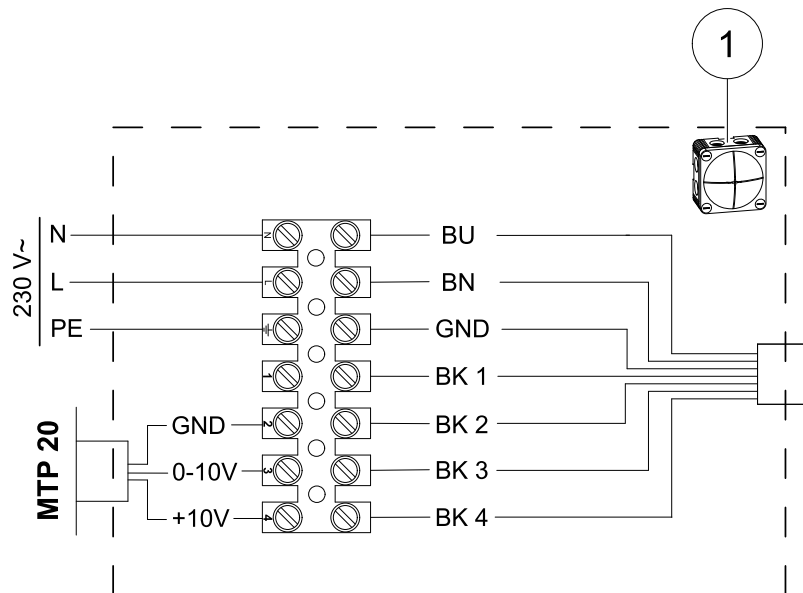


Fig. 5 Controller connection

Installation and connection

1. Remove the cover of junction box (pos. 1) by turning four locks in each corner from position 1 to 0.
2. Pull out potentiometer connected to sockets 2, 3 and 4 on the terminal block.
3. This step can be skipped if power supply is already connected.
Lead the power supply cable through the hole on the side of junction box. Connect wires to the terminal block according to wiring diagram.
4. Connect red wire (+10V) from the accessory to socket 4 on the terminal block.
5. Connect blue (GND) wire from the accessory to socket 2 on the terminal block.
6. Connect control input (1-10V) wire from the accessory to socket 3 on the terminal block.
7. Place back the cover of junction box and lock it.

Cupboard fans can be controlled with an external controller now.

8.1.3 Humidity - Demand control

The controller compares room humidity with an adjustable set point (SW1) and regulates a 0..10 V output signal applied to a ventilator with a proportional algorithm in direct or reverse action based on jumper JP1 setting, significantly reducing energy consumption to maintaining indoor climate.

Component/product – Article number:

- EC-Basic-H humidity – 24807

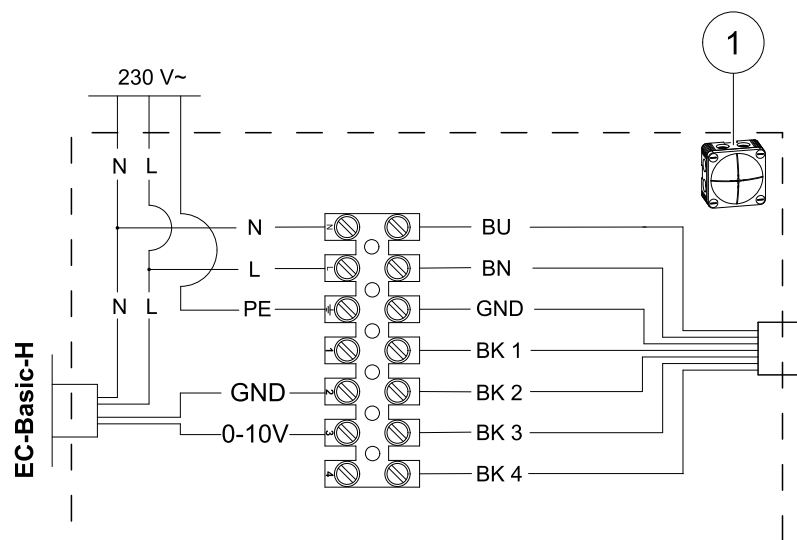


Fig. 6 Controller connection

Installation and connection

1. Remove the cover of junction box (pos. 1) by turning four locks in each corner from position 1 to 0.
 2. Pull out potentiometer connected to sockets 2, 3 and 4 on the terminal block.
 3. Connect 0-10V (4) on the accessory to socket 3 on the terminal block.
 4. Connect GND (5) on the accessory to the socket 2 on the terminal block.
 5. Connect 230 V – Neutral (N) wire to the accessory and N socket on the terminal block (Blue wire).
 6. Connect 230 V – Phase (L) wire to the accessory and L socket on the terminal block (brown wire).
 7. Ground connection should be connected to the socket with ground symbol on the terminal block (yellow/green wire).
 8. Place back the cover of junction box and lock it.
- VEF shall be controlled according to indoor humidity levels now.

8.1.4 CO₂ - Demand control

The controller compares room CO₂ with an adjustable set point (SW1) and regulates a 0..10 V output signal applied to a ventilator with a proportional algorithm in direct or reverse action based on jumper JP1, setting significantly reducing energy consumption to maintain indoor climate.

Component/product – Article number:

- EC-Basic-CO₂ and temperature – 24808

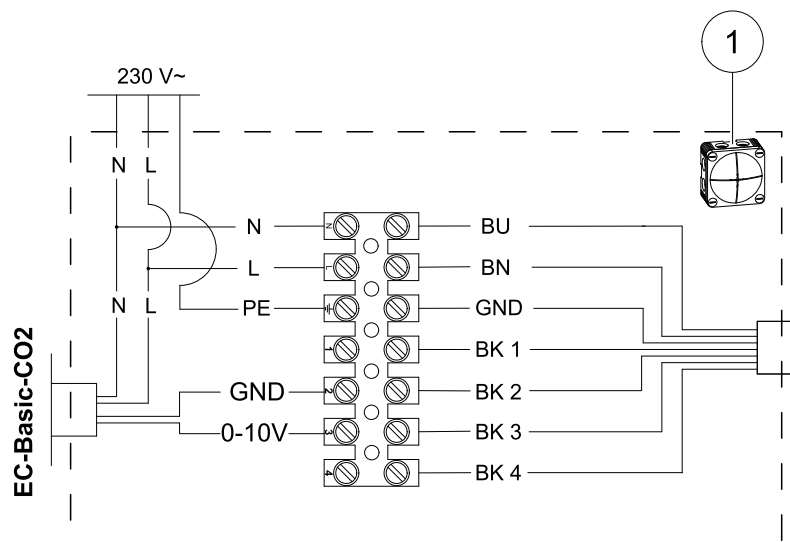


Fig. 7 Controller connection

Installation and connection

1. Remove the cover of junction box (pos. 1) by turning four locks in each corner from position 1 to 0.
 2. Pull out potentiometer connected to sockets 2, 3 and 4 on the terminal block.
 3. Connect 0-10V (4) on the accessory to socket 3 on the terminal block.
 4. Connect GND (5) on the accessory to the socket 2 on the terminal block.
 5. Connect 230 V – Neutral (N) wire to the accessory and N socket on the terminal block (Blue wire).
 6. Connect 230 V – Phase (L) wire to the accessory and L socket on the terminal block (brown wire).
 7. Ground connection should be connected to the socket with ground symbol on the terminal block (yellow/green wire).
 8. Place back the cover of junction box and lock it.
- VEF shall be controlled according to indoor CO₂ levels now.

8.2 Cooker hoods

These cooker hoods are designed with a possibility to connect them to ventilation units such as Cupboard fans.

8.2.1 251-14 EC

This product will be available in the 4th quarter of 2018.

The cooker hood is ready internally wired and equipped with cables with special plugs for respectively mains supply 230 V~ and control signal to the ventilation unit (0-10 VDC).

Component/product – Article number:

- 251-14 EC Stainless Steel – 96803
- 251-14 EC White – 96804

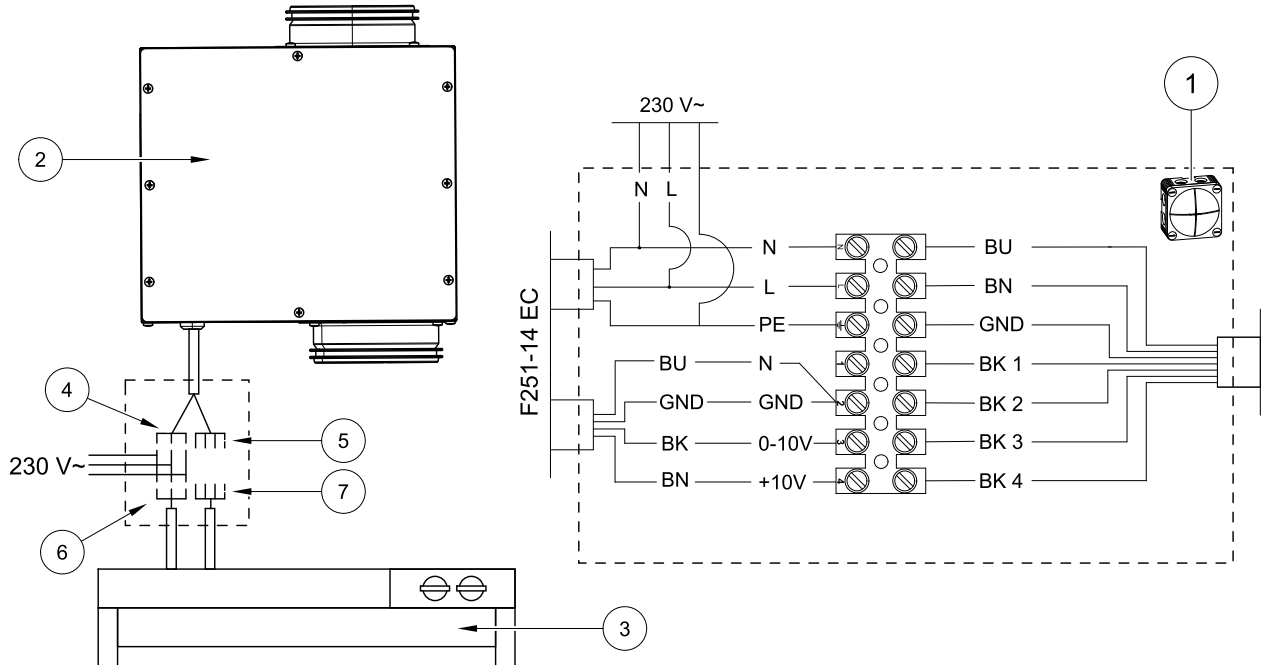


Fig. 8 251-14 EC cooker hood connection

Position	Description
1	Junction box
2	Cupboard fans
3	251-14 EC
4	Power supply wires (230 V~)
5	Control signal wires (10 VDC)
6	Special plug (230 V~)
7	Special plug (control signal 10 VDC)

Installation and connection

1. Remove the cover of junction box (pos. 1) by turning four locks in each corner from position 1 to 0.
2. Pull out potentiometer connected to sockets 2, 3 and 4 on the terminal block.
3. Remove a special plug (pos. 6) from a power supply cable of the cooker hood (pos. 3)
4. Connect 230 V~ neutral (N) wire to the accessory and N socket on the terminal block (blue wire).
5. Connect 230 V~ phase (L) wire to the accessory and L socket on the terminal block (brown wire).
6. Ground connection should be connected to the socket with ground symbol on the terminal block (yellow/green wire).
7. Remove a special plug (pos. 7) from a control cable of the cooker hood (pos. 3)
8. Connect blue wire (N) from the accessory to socket 2 on the terminal block.
9. Protective earth wire (yellow/green) from the control cable should be connected to socket 2 on the terminal block.
10. Connect black wire (1-10V) from the accessory to socket 3 on the terminal block.
11. Connect brown wire (+10V) from the accessory to socket 4 on the terminal block.

12. Place back the cover of junction box and lock it.
Cupboard fans can be controlled with a cooker hood now.

8.2.1.1 Fan speed configuration

It is possible to adjust the minimum and normal fan speed by internal potentiometers located next to the lamp. Maximum speed is not adjustable and always 10 V.

The potentiometers are adjusted by means of a screw driver.

Turning the potentiometer results in different control voltages to the fans. To get an idea of the airflow corresponding to each voltage output see 3.2.3 *Performance*. Fan performance diagrams show performance curves for extract air.

Speed setting	Voltage range
Minimum speed (1)	1,5-5 V
Normal speed (2)	2-8 V
Maximum speed (3)	10 V (not possible to change)

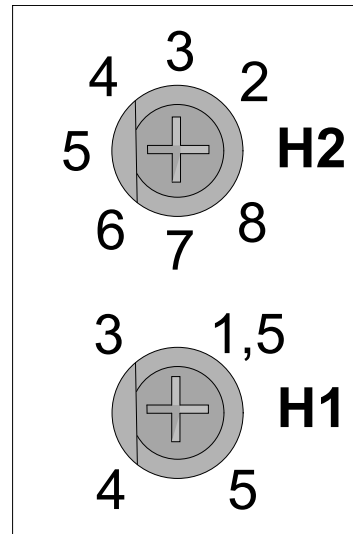


Fig. 1 H1 – minimum speed voltage, H2 – normal speed voltage

8.2.2 392-14 Slimline EC

This product will be available in the 4th quarter of 2018.

The cooker hood is internally wired and equipped with a cable for a control signal to the ventilation unit (0-10 VDC) and power cable.

Component/product – Article number:

- 392-14 EC Slimline White – 96805

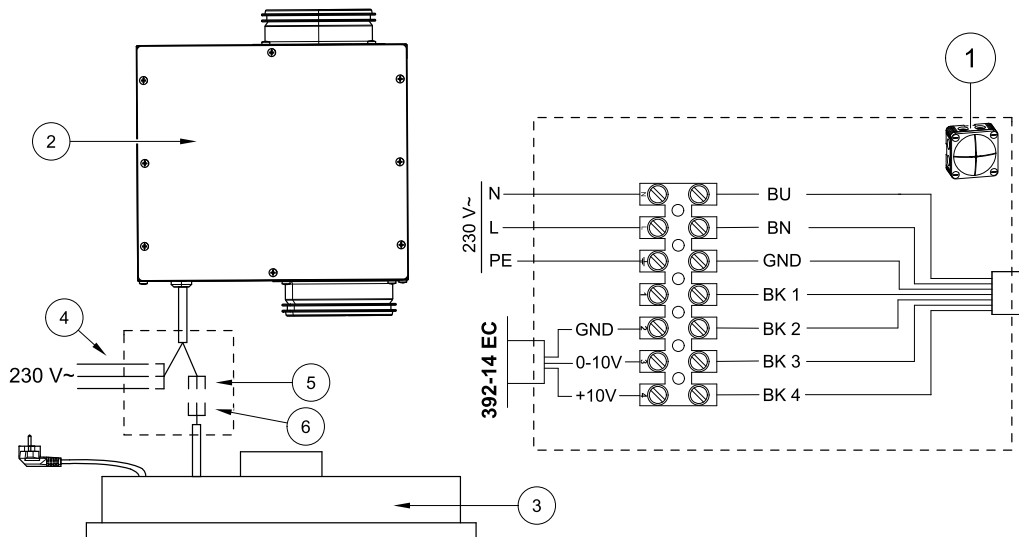


Fig. 9 392-14 Slimline EC connection






Installation and connection

1. Remove the cover of junction box (pos. 1) by turning four locks in each corner from position 1 to 0.
2. Pull out potentiometer connected to sockets 2, 3 and 4 on the terminal block.
3. Connect 230 V~ neutral (N) wire to the N socket on the terminal block (blue wire).
4. Connect 230 V~ phase (L) wire to the L socket on the terminal block (brown wire).

5. Ground connection should be connected to the socket with ground symbol on the terminal block (yellow/green wire).
 6. Protective earth wire (green) from the control cable should be connected to socket 2 on the terminal block.
 7. Connect yellow wire (1-10V) from the accessory to socket 3 on the terminal block.
 8. Connect brown wire (+10V) from the accessory to socket 4 on the terminal block.
 9. Place back the cover of junction box and lock it.
- Cupboard fans can be controlled with a cooker hood now.

8.2.2.1 Control description and fan speed configuration






















392-14 Slimline EC cooker hood control panel has 5 buttons:

				
Turn on/off the cooker hood lights.	Open/close damper Damper automatically closes after 60 min.	The fan of the unit works at minimum speed (1,5 V). Voltage can be adjusted from 1,5 V to 5 V.	The fan of the unit works at medium speed (2 V) Voltage can be adjusted from 2 V to 8 V.	The fan of the unit works at maximum speed (10 V) Voltage cannot be adjusted. The fan automatically turns off after 60 min.

Voltage is adjusted by pressing the damper button and fan speed button at the same time. Each fan speed button press increases voltage to the fan. After reaching the maximum allowed voltage for selected fan speed, voltage value resets to default value.

Voltage value for each step is displayed bellow.

Table 1 Fan speed configurations

Fan speed 1		Fan speed 2	
Combination	Voltage, V	Combination	Voltage, V
Default value	1,5	Default value	2
 x 1	2	 x 1	2,5
 x 2	2,5	 x 2	3
 x 3	3	 x 3	3,5
 x 4	3,5	 x 4	4
 x 5	4	 x 5	4,5
 x 6	4,5	 x 6	5
 x 7	5	 x 7	5,5
 x 8	1,5	 x 8	6
		 x 9	6,7
		 x 10	7
		 x 11	7,5
		 x 12	8
		 x 13	2

© Upphovsrätt Systemair AB

Alla rättigheter förbehållna

Med förbehåll för eventuella fel och förbiseenden

Systemair AB förbehåller sig rätten att ändra produkterna utan föregående meddelande.

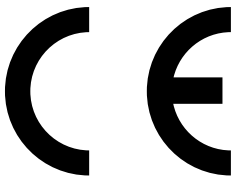
Detta gäller även redan beställda produkter, så länge det inte påverkar tidigare överenskomna specifikationer.

Systemair kan inte hållas ansvarigt för eventuella skador eller följskador och garantin upphör att gälla om dessa anvisningar inte följs vid installation eller vid service.

1	Intyg om överensstämmelse.....	25
2	Varning.....	26
3	Produktinformation.....	26
3.1	Allmänt.....	26
3.2	Tekniska data.....	26
3.2.1	Mått och vikt.....	27
3.2.2	Kanalanslutningar.....	28
3.2.3	Prestanda.....	28
3.2.4	Kopplingschema.....	29
3.3	Transport och förvaring.....	30
4	Installation.....	30
4.1	Montering av fläktarna.....	30
5	Driftsättning.....	32
6	Underhåll.....	33
6.1	Viktigt.....	33
6.2	Underhållsintervall.....	33
6.3	Rengöring av fläkt.....	33
7	Felsökning.....	35
8	Tillbehör.....	35
8.1	Regulatorer.....	35
8.1.1	MTP 10/10K proportionell varvtalsregulator.....	35
8.1.2	MTP 20 trestegsstyrenhet.....	35
8.1.3	Luftfuktighet - behovsstyrning.....	36
8.1.4	CO2 - behovsstyrning.....	37
8.2	Spiskåpor.....	37
8.2.1	251-14 EC.....	37
8.2.2	392-14 Slimline EC.....	39

1 Intyg om överensstämmelse

Tillverkare



Systemair UAB
Linų st. 101
LT-20174 Ukmergė, LITHUANIA
Tel. kontor: +370 340 60165 Fax: +370 340 60166
www.systemair.se

intyggar härmed att följande produkter:

VEF 1, VEF 2, VEF 4

Intyget gäller endast för produkten i det skick i vilket den levererats och installerats vid anläggningen i enlighet med medföljande installationsanvisningar. Intyget omfattar inte komponenter som senare lagts till eller åtgärder som senare vidtagits på produkten.

Uppfyller alla tillämpliga krav i nedanstående direktiv.

- Maskindirektivet 2006/42/EG
- Lågspänningsdirektivet 2014/35/EU
- EMC-direktivet 2014/30/EU
- Ekodesigndirektivet 2009/125/EG

Följande förordningar tillämpas för tillämpliga komponenter:

1253/2014	Krav för ventilationsaggregat
1254/2014	Energimärkning av ventilationsaggregat för bostäder
327/2011	Krav för fläktar större än 125 W

Tillämpliga delar av nedanstående harmoniserade standarder tillämpas:

EN ISO 12100:2010	Maskinsäkerhet – Generella konstruktionsprinciper – riskbedömning och riskminskning
EN 13857	Maskinsäkerhet – Skyddsavstånd för att hindra att armar och ben når in i riskområden
EN 60 335-1	Elektriska apparater för hushåll och liknande – Säkerhet del 1: Allmänna fordringar
EN 60 335-2-40	Elektriska hushållsapparater och liknande bruksföremål – Säkerhet – Del 2-40: Särskilda fordringar på elektriska värmepumpar, luftkonditioneringsapparater och avfuktare
EN 62233	Hushållsapparater och liknande bruksföremål – Mätning av elektromagnetiska fält med avseende på exponering
EN 50 106:2007	Elektriska hushållsapparater och liknande bruksföremål – Säkerhet – Anvisningar för tillverkningskontroll av apparater som omfattas av EN 60 335-1 och EN 60 967
EN 61000-6-2	Elektromagnetisk kompatibilitet (EMC) – Del 6-2: Allmänna normer – immunitet i industriella miljöer
EN 61000-6-3	Elektromagnetisk kompatibilitet (EMC) – Del 6-3: Allmänna normer – emissionsnivåer för hushåll, handel och lätt industri

Skinnskatteberg, 2017-09-21

Mats Sándor

Teknisk direktör

2 Varning

Nedanstående symboler och varningar förekommer i dokumentet.



Fara

Indikerar potentiellt eller omedelbar farlig situation som, om denna inte undviks, kan leda till dödsfall eller allvarlig skada.



Varning

Indikerar potentiellt farlig situation som kan leda till mindre eller moderat skada.



Aktas

Indikerar risk för skada på produkt eller nedsättning av optimal funktion.

3 Produktinformation



Aktas

- Vidta nödvändiga åtgärder för att förhindra bakströmning av förbränningsgaser genom rökgångar för andra anordningar i samma rum, avsedda för förbränning av gas eller andra bränslen.
- Produkten kan användas av barn från åtta år och uppåt och av personer med någon typ av funktionshinder eller som inte har tillräcklig erfarenhet eller kunskap för att använda den om de är under uppsikt av och har fått anvisningar om handhavandet av produkten av någon med ansvar för deras säkerhet. Barn ska hållas under uppsikt så att de inte leker med produkten. Låt inte barn använda, rengöra eller underhålla produkten utan vuxens överinseende.

3.1 Allmänt

Den här installationshandboken gäller VEF 1 VEF 2, VEF 4, som tillverkas av Systemair UAB.

Kryddhyllefläktarna levereras med potentiometer (0-10 V). Den integrerade potentiometern är fabriksinställd på 10 V. Detta värde kan ändras manuellt för justering av motorvarvtal/fläktprestanda. Extern potentiometer kan anslutas vid behov. Om detta ska göras måste den interna potentiometern kopplas bort från kopplingsplintarna.

Den här handboken innehåller grundläggande information och rekommendationer som berör utformning, installation, driftsättning och drift av aggregatet. Syftet är att aggregatet ska fungera felfritt. Läs handboken noga och följ alla anvisningar och säkerhetsanvisningar, för att säkerställa att enheten används korrekt och säkert.

Kryddhyllefläktar är avsedda för lufttransport i luftbehandlingssystem. Fläktarna är avsedda för användning i kanalsystem och ska alltid kanalanslutas på inloppssidan. Inga rörliga delar får vara åtkomliga efter installationen. Kryddhyllefläktar är anpassade för kontinuerlig drift.

Produkt och artikelnummer:

- VEF 1 – 88685
- VEF 2 – 88684
- VEF 4 – 88686

3.2 Tekniska data

Säker drifttemperatur är mellan -25 °C till +40 °C.

3.2.1 Mått och vikt

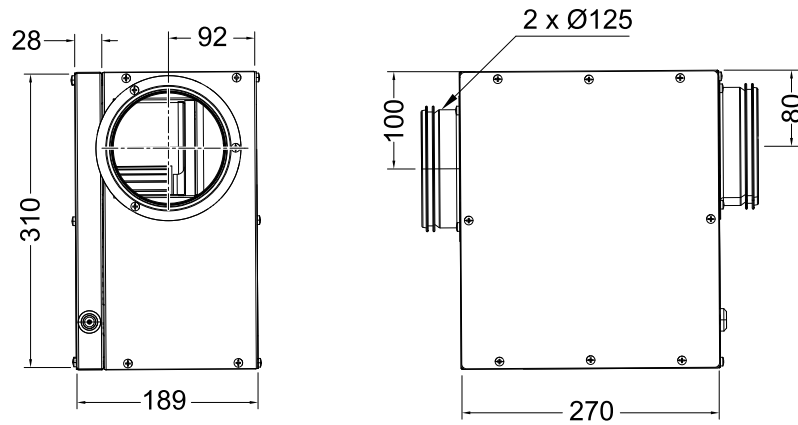


Fig. 1 VEF 1 skåpsfläktens dimensioner

VEF 1 kryddhyllfläktens vikt är 6,25 kg.

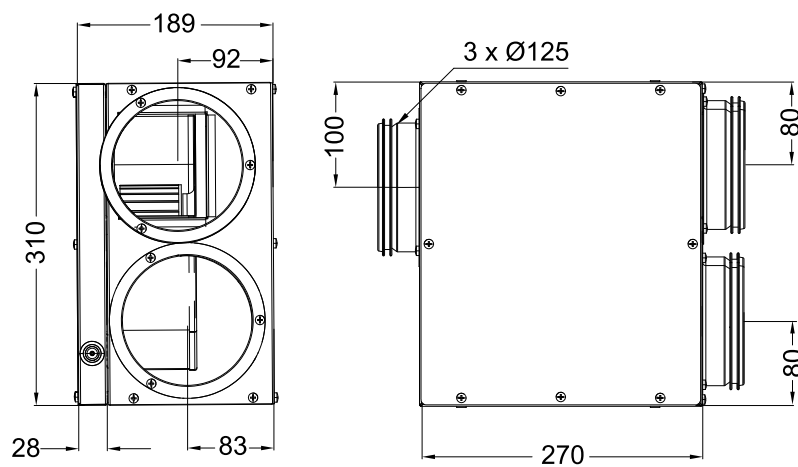


Fig. 2 VEF 2 kryddhyllfläktens dimension

VEF 2 kryddhyllfläktens vikt är 6,25 kg.

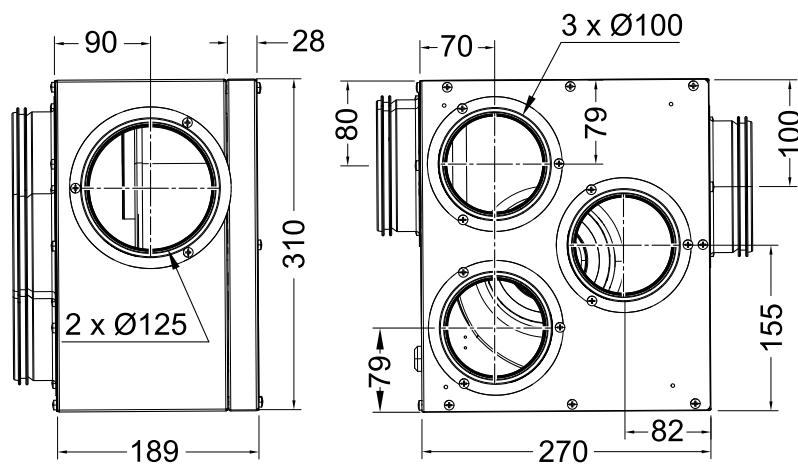
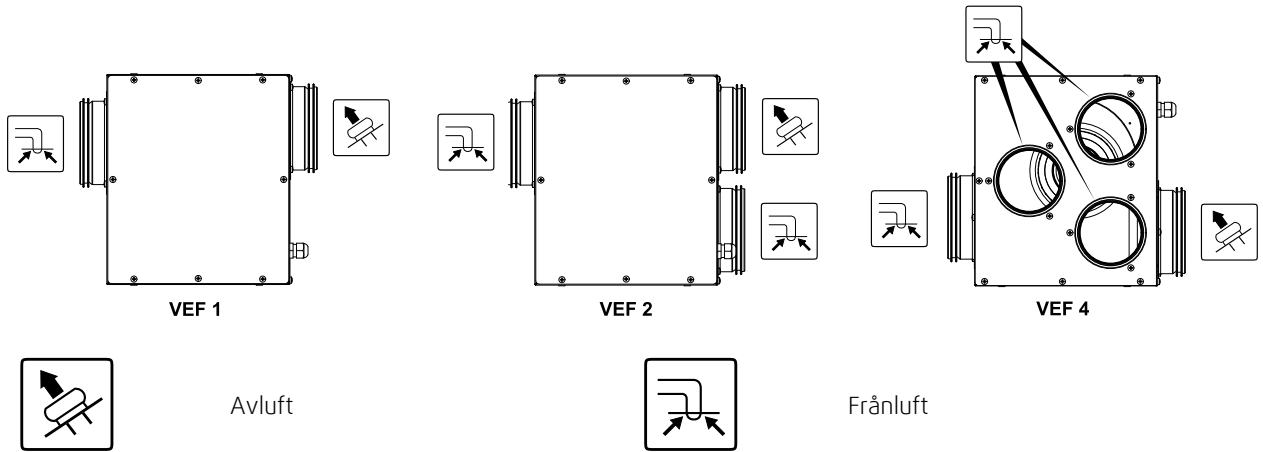


Fig. 3 VEF 4 kryddhyllfläktens dimension

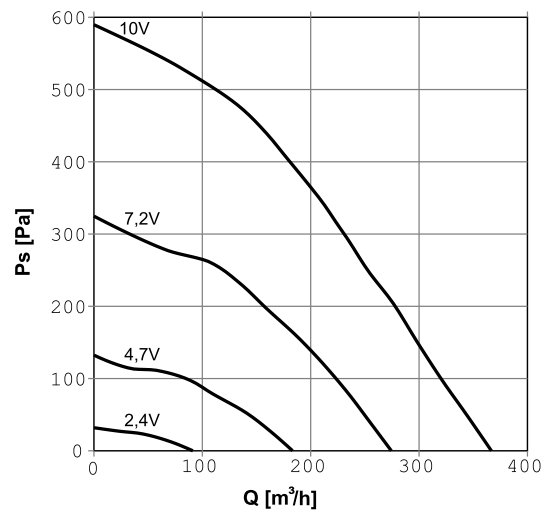
VEF 4 kryddhyllfläktens vikt är 6,335 kg.

3.2.2 Kanalanslutningar

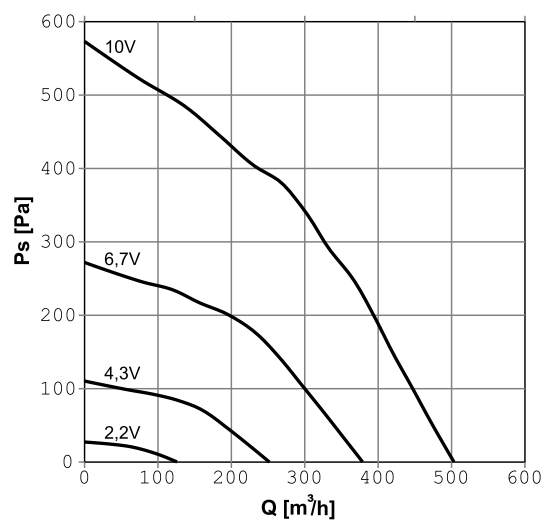


3.2.3 Prestanda

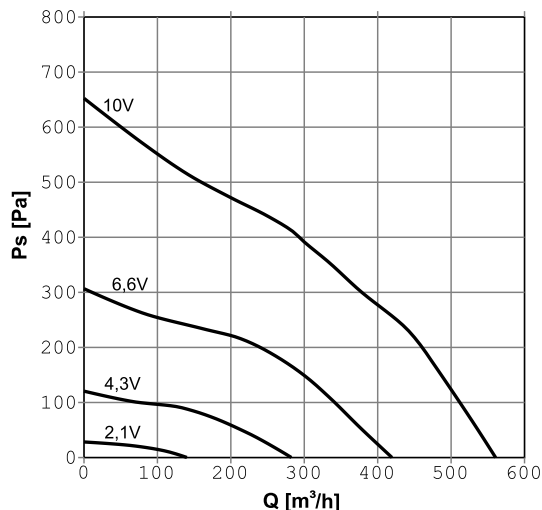
3.2.3.1 VEF 1 effektkurvor



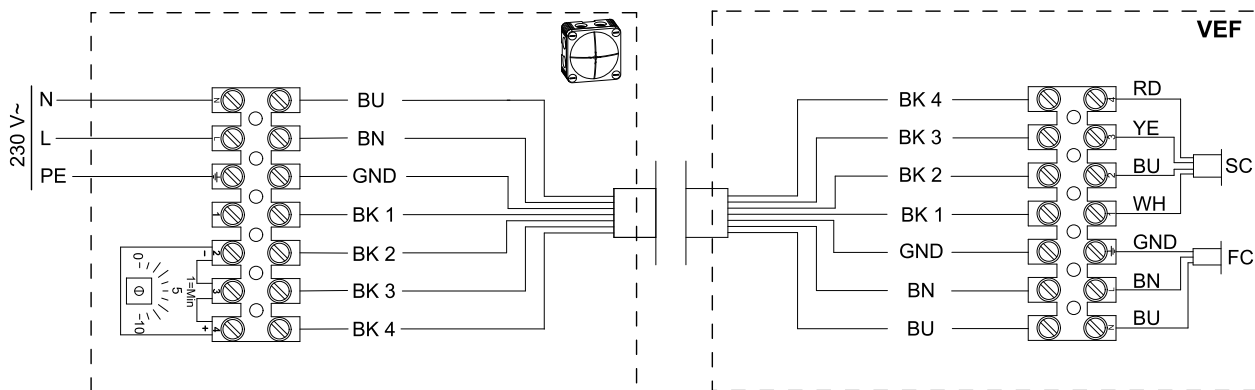
3.2.3.2 VEF 2 effektkurvor



3.2.3.3 VEF 4 effektkurvor



3.2.4 Kopplingschema



L	El-anslutning, spänningsförsörjning, fas, se märkskylt för spänningsområde
N	El-anslutning, spänningsförsörjning, nolledare, se märkskylt för spänningsområde
PE	Markanslutning
1	Ej ansluten. Valvräknares utgång, öppen kollektor, 1 puls per varv, max = 10 mA, SELV
2 (-)	Referenssignal för regleringsgränssnitt, SELV
3	0-10 V / PWM regleringång, Ri=100 kΩ, SELV
4 (+)	Fast spänningsutgång 10 VDC +/-3 %, max. 10 mA, kortslutningssäker, strömförsörjning för nuvarande enheter, SELV
BU	Blå
BN	Brun
BK	Svart
GND	Jord
RD	Röd
YE	Gul
WH	Vit
SC	Signalkabel
FC	Fläktkabel

3.3 Transport och förvaring

Alla fläktar emballeras vid fabriken för att motstå normal hantering under transport. Vid hantering av gods ska adekvat lyftutrustning användas så att risken för skador på fläktar och personal minimeras. Undvik stötar, slag och hastiga belastningar. Förvara fläktarna på en torr plats skyddade från smuts och regn tills den slutgiltiga installationen.



Varning

- Aggregatet är tungt. Var försiktig vid transport och installation. Det finns risk för klämskador. Använd skyddskläder.
- Lyft inte fläktarna i anslutningskabel, kopplingsdosa, motorfäste, fläkthjul eller inloppskona.

4 Installation



Fara

- Säkerställ att spänningsmatningen är bruten före underhållsarbete och elarbete.
- Elektriska anslutningar får endast utföras av behörig personal och i enlighet med gällande krav och föreskrifter.



Varning

- Aggregatets elektriska anslutning till elnätet ska föregås av en allpolig brytare med minst 3 mm kontaktavstånd.
- Lyft inte fläktarna i anslutningskabel, kopplingsdosa, motorfäste, fläkthjul eller inloppskona.
- Fläktarna är inte avsedda att användas i riskfylld miljö eller att anslutas till rökgaskanaler.
- Utrustningen måste anslutas till en fast installerad nätspänningsbrytare.

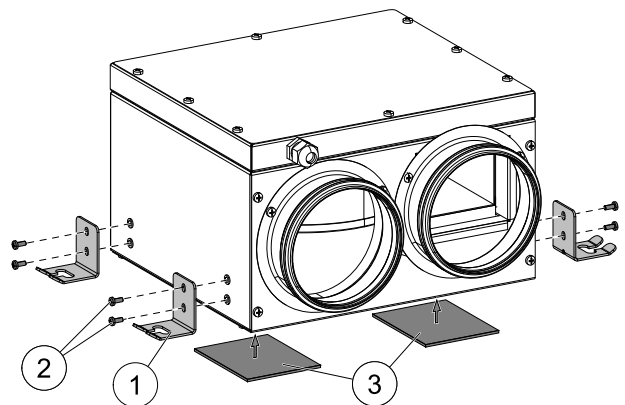


Aktas

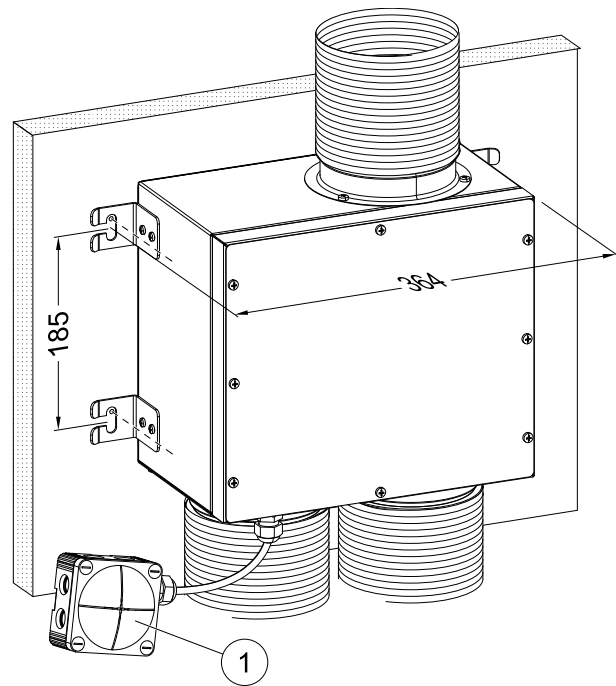
- Försäkra dig om att skyddsgaller har installerats (EN ISO 13857) och att inga rörliga delar är åtkomliga efter installation.
- Demontera, kortslut eller frånkoppla aldrig säkerhetstillbehör (dvs. motorskydd, säkerhetsgaller).

4.1 Montering av fläktarna

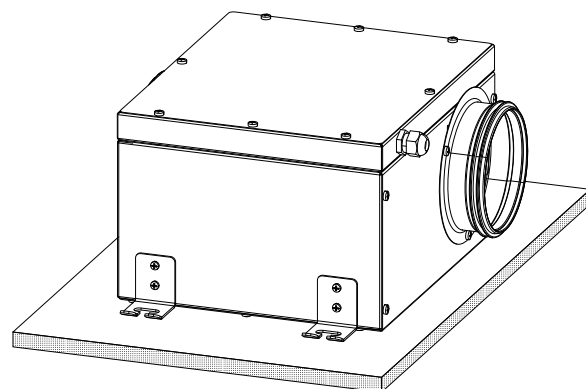
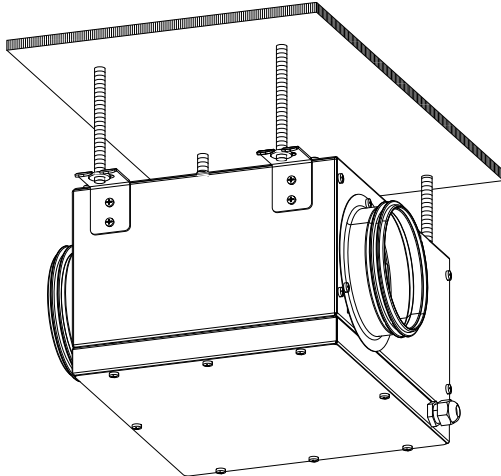
- 1 Installera fyra monteringsfästen (pos. 1) för dedikera- de av positioner på fläkthusets sidor. Använd skruvar som medföljer (pos. 2). Man kan hoppa över detta steg om monteringsfästen inte kommer att användas för installationen. Fäst de medföljande självhäftande anti-vibrationsgummierna på kryddhyllefläkten.



- 2 Installera kryddhyllefläkten på önskad plats. Kryddhyllefläkten kan installeras vilken position och plats som helst: golv, vägg, tak.
Ta bort kopplingsdosans skyddslock (pos. 1) genom att vrida de fyra lås som finns i varje hörn från position 1 till 0.



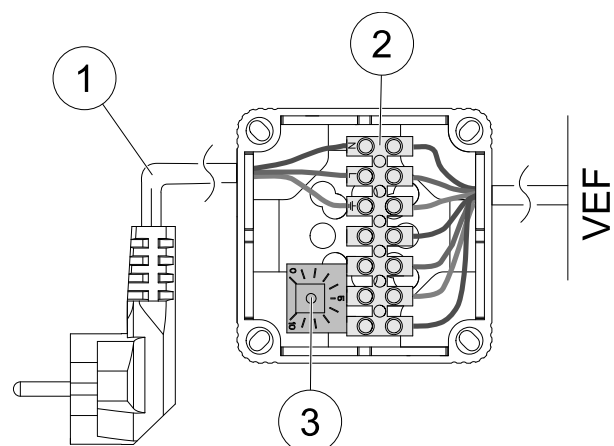
Andra installationsmöjligheter:



- 3 För strömförsörjningskabeln (pos. 1) genom hålet på kopplingsdosans sida. Anslut ledarna till kopplingsplinten (pos. 2) enligt kopplingsschema (3.2.4 *Kopplingschema*, sida 29).
Fläktvarvtalet kan ökas eller minskas genom att vrida den roterande kontakten på potentiometern (pos. 3) till annan position från 1 till 10.

- 1 – min hastighet
- 10 – max hastighet

- 4 Sätt tillbaka kopplingsdosans skyddslock och lås det.



5 Driftsättning



Fara

- Elektriska anslutningar får endast utföras av behörig personal och i enlighet med gällande krav och föreskrifter.

Kontrollera nedanstående poster före första start.

- Alla elanslutningar korrekt utförda.
- Skyddsjord är ansluten.
- Säkerhetsanordningar på plats (skyddsgaller)
- Överbliven installationsmateriel och främmande föremål avlägsnade från höljet.

Test av installationen:

- Det kan behövas justeringar i elutrymmet under testning (dvs. inställning av potentiometer). Locket måste dock vara stängt under drift.

Kontrollera nedanstående poster vid driftsättning.

- Anslutningsdata motsvarar specifikationerna på märkplåten: Maximal spänning +6 %, -10 %, enligt IEC 38. Nominell strömstyrka får inte överskridas med mer än 5 % vid nominell spänning.
- Rotationsriktningen ska vara den som visas av riktningsspilen (3-fas).
- Motorn arbetar jämnt, utan onormalt buller.

6 Underhåll

6.1 Viktigt



Fara

- Bryt strömförsörjningen (allpolig brytare) och vänta tills fläkthjulet har stannat helt före service eller underhåll.
- Säkerställ att spänningsmatningen är bruten före underhållsarbete och elarbete.
- Demontera, kortslut eller frånkoppla aldrig säkerhetstillbehör (dvs. motorskydd, säkerhetsgaller).
- Fläkthjulet har stannat helt.
- Om nätkabeln är skadad ska den bytas ut av behörig servicerepresentant eller annan kvalificerad person för att undvika fara.
- Aggregatet är tungt. Var försiktig vid transport och installation. Det finns risk för klämskador. Använd skyddskläder.
- Lyft inte fläktarna i anslutningskabel, kopplingsdosa, motorfäste, fläkthjul eller inloppskona.

6.2 Underhållsintervall

Fläktarna ska rengöras vid behov, minst en gång om året så att felbalansering och onödigt slitage på lagren undviks. Fläktlagren är underhållsfria och ska bara bytas ut om de är skadade. Använd inte högtrycksrengöring (ångstråle) när du rengör fläkten. Kontrollera att fläkthjulets balansvikter inte har rubbats och att fläktbladen inte har böjts. Lyssna efter onormala ljud.

6.3 Rengöring av fläkt



Varning

- Säkerställ att spänningsmatningen är bruten före underhållsarbete och elarbete.
- Fläkthjulet har stannat helt.
- Enheten är tung. Försäkra dig om att motorfästet sitter mot låset så att motorn inte faller ned under underhållsarbete.



Fara

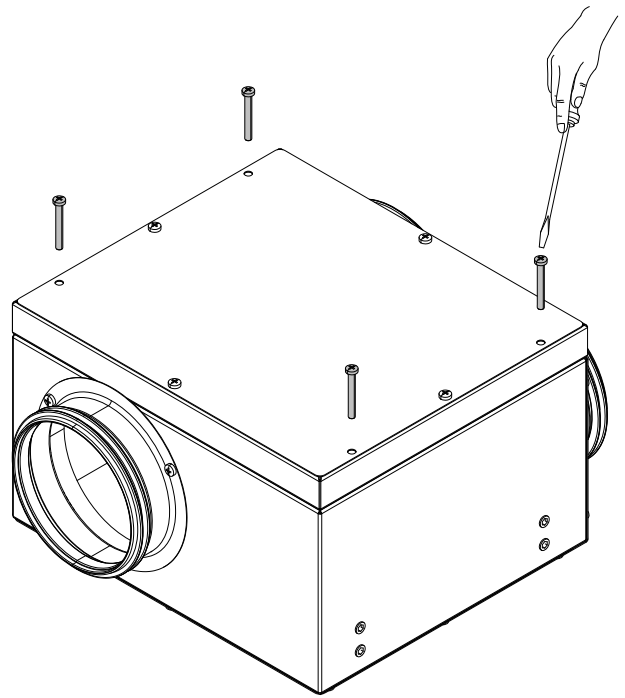
- Försäkra dig om att motorn inte kan falla ned.



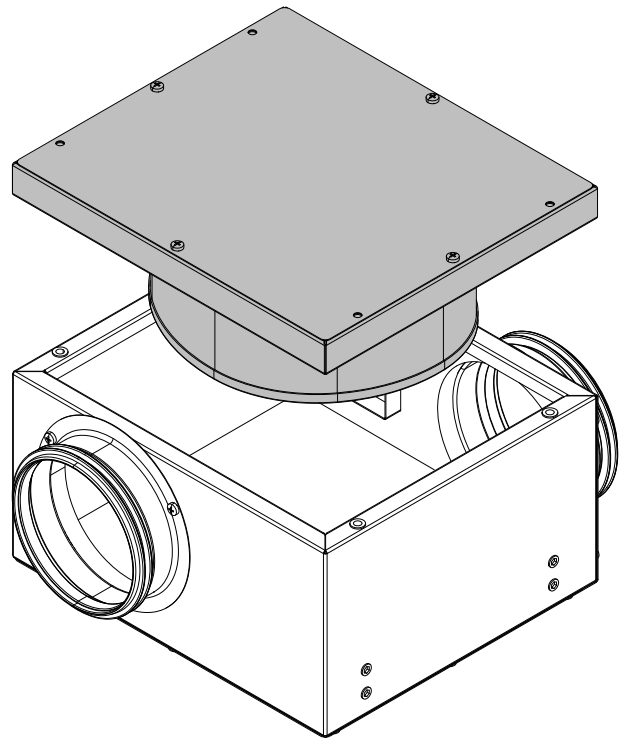
Aktas

- Se upp för vassa kanter vid underhåll – använd skyddshandskar! Det finns risk för klämskador.
- Fläktarna har vassa kanter och hörn som kan orsaka skador. Var försiktig när du öppnar fläktarna (motorn som är monterad på motorfästet väger ganska mycket).

- 1 Ta bort fyra de fyra skruvar som finns närmast varje hörn.



- 2 Lyft försiktigt skyddslocket Rengör fläkten.
- 3 Sätt tillbaka skyddslocket och försäkra detta med de skruvar som tidigare tagits bort.



7 Felsökning

Följ nedanstående anvisningar om fläkten har stannat:

- Bryt strömmen till fläkten några minuter och försök därefter starta om den igen.
- Försäkra dig om att fläkthjulet inte är låst. Koppla bort strömförsörjningen och avlägsna därefter eventuella blockeringar. Slå till strömförsörjningen igen och kontrollera att fläkten startar. Kontakta återförsäljaren om fläkten inte går att starta.

8 Tillbehör



Fara

- Säkerställ att spänningsmatningen är bruten före underhållsarbete och elarbete.
- Elektriska anslutningar får endast utföras av behörig personal och i enlighet med gällande krav och föreskrifter.

8.1 Regulatorer

8.1.1 MTP 10/10K proportionell varvtalsregulator

Varvtalsreglering för manuell hastighets- och luftflödeskontroll av Kryddhyllfläktar.

Komponent/produkt - artikelnummer:

- MTP 10, 10K, varvtalsreglering – 32731

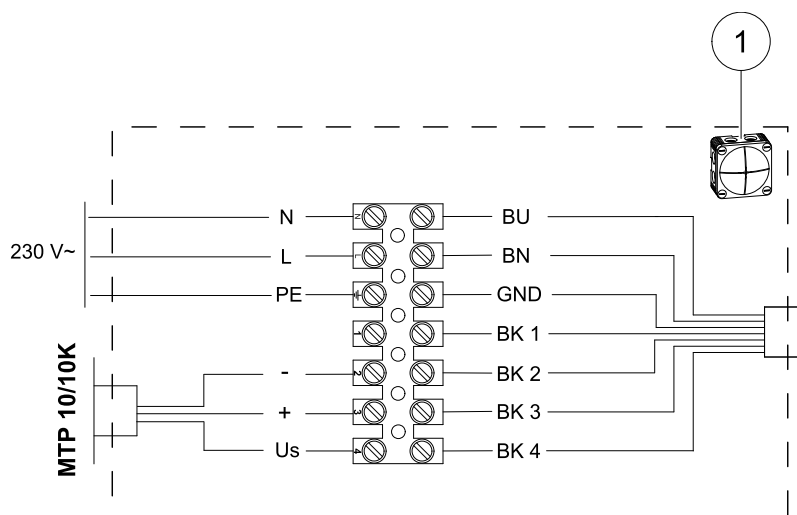


Fig. 4 Anslutning av styrenhet

Installation och anslutning

1. Ta bort kopplingsdosans skyddslock (pos. 1) genom att vrida de fyra lås som finns i varje hörn från position 1 till 0.
2. Dra ut potentiometern som är ansluten till kopplingsplint 2, 3 och 4
3. Anslut + (4) på tillbehöret till kopplingsplint 3.
4. Anslut - (5) på tillbehöret till kopplingsplint 2
5. Anslut Us-märkt ledare till kopplingsplint 4.
6. Sätt tillbaka kopplingsdosans skyddslock och lås det.

Nu kan Kryddhyllfläktar regleras med en extern regulator.

8.1.2 MTP 20 trestegsstyrenhet

En 3-steg potentiometer för varvtalsreglering med på- och av- funktion. 10 V matningsspänningen omvandlades till tre steg för att få regleringslägen minimum, normal och maximalt. Position 1 och 2 kan regleras i enlighet med miljökrav.

Komponent/produkt - artikelnummer:

- MTP 20, på/av, 3-steg – 310220

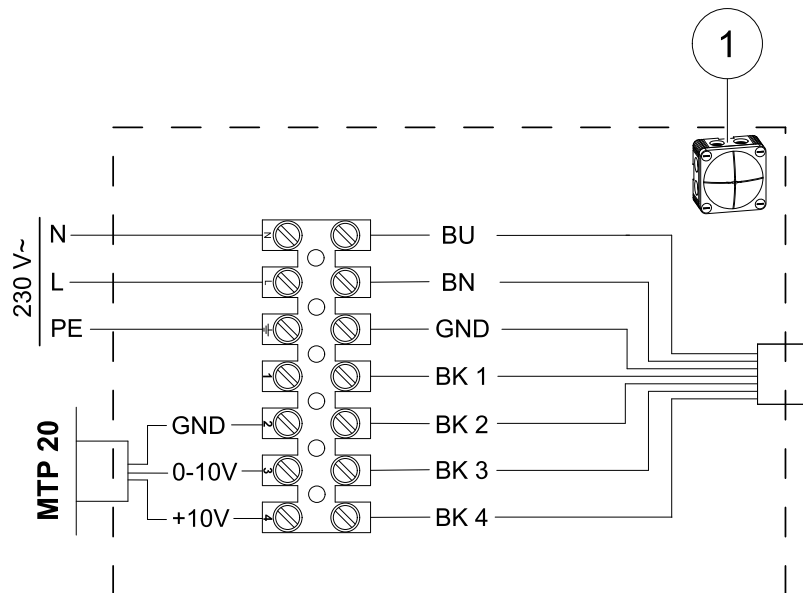


Fig. 5 Anslutning av styrenhet

Installation och anslutning

1. Ta bort kopplingsdosans skyddslock (pos. 1) genom att vrida de fyra lås som finns i varje hörn från position 1 till 0.
2. Dra ut potentiometern som är ansluten till kopplingsplint 2, 3 och 4
3. Detta steg kan hoppas över om strömförsörjningen redan är ansluten.
Dra strömförsörjningskabeln genom hålet på kopplingsdosans sida. Anslut ledarna till kopplingsplint enligt respektive kopplingsschema.
4. Anslut den röda ledaren (+10V) från tillbehöret till kopplingsplint 4.
5. Anslut den blåa ledaren (GND) från tillbehöret till kopplingsplint 2 .
6. Anslut styrledare (1-10V) från tillbehöret till kopplingsplint 3.
7. Sätt tillbaka kopplingsdosans skyddslock och lås det.

Nu kan Kryddhyllfläktar regleras med en extern regulator.

8.1.3 Luftfuktighet - behovsstyrning

Styrenheten jämför rummets luftfuktighet med ett reglerbart börvärde (SW1) och reglerar en 0-10 V utsignal till en fläkt med en proportionell algoritm i direkt eller omvänd riktning baserat på inställningen för koppling JP1, vilket märkbart minskar elförbrukningen som krävs för att upprätthålla inomhusklimatet.

Komponent/produkt - artikelnummer:

- EC-Basic-H luftfuktighet – 24807

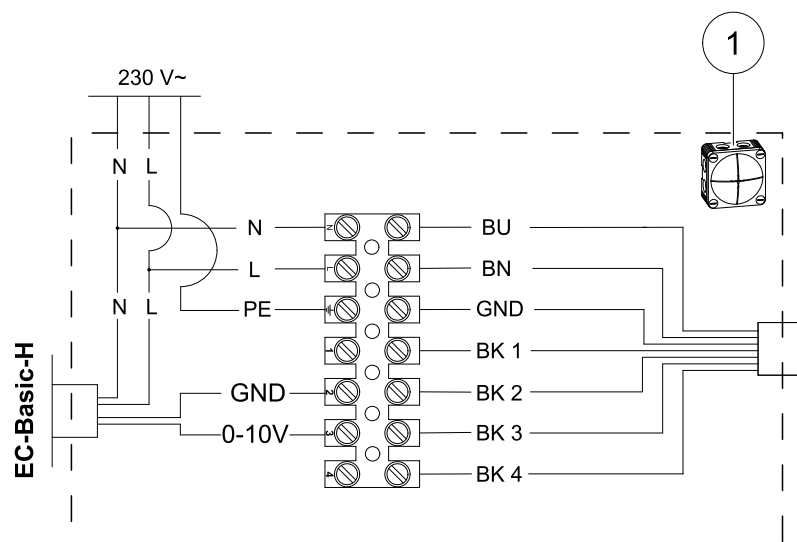


Fig. 6 Anslutning av styrenhet

Installation och anslutning

1. Ta bort kopplingsdosans skyddslock (pos. 1) genom att vrida de fyra lås som finns i varje hörn från position 1 till 0.
 2. Dra ut potentiometern som är ansluten till kopplingsplint 2, 3 och 4
 3. Anslut 0-10 V (4) på tillbehöret till kopplingsplint 3.
 4. Anslut GND (5) på tillbehöret till kopplingsplint 2.
 5. Anslut 230 V – neutralledare (N) till tillbehöret och N-plint på kopplingsplintersraden (blå ledare).
 6. Anslut 230 V – fasledare (L) till tillbehöret och L-plint på kopplingsplintersraden (brun ledare).
 7. Jordledare ansluts till plint på kopplingsplinten märkt med en jordsymbol (gul/grön ledare).
 8. Sätt tillbaka kopplingsdosans skyddslock och lås det.
- VEF ska nu styras enligt behovsstyrning luftfuktighetsnivå inomhus.

8.1.4 CO₂ - behovsstyrning

Styrenheten jämför rummets CO₂-värde med ett reglerbart börvärde (CO₂) och reglerar en 0-10 V utsignal till en fläkt med en proportionell algoritim i direkt eller omvänd riktning baserat på inställningen för koppling JP1, vilket märkbart minskar elförbrukningen som krävs för att upprätthålla inomhusklimatet.

Komponent/produkt - artikelnummer:

- EC-Basic-CO₂ och temperatur – 24808

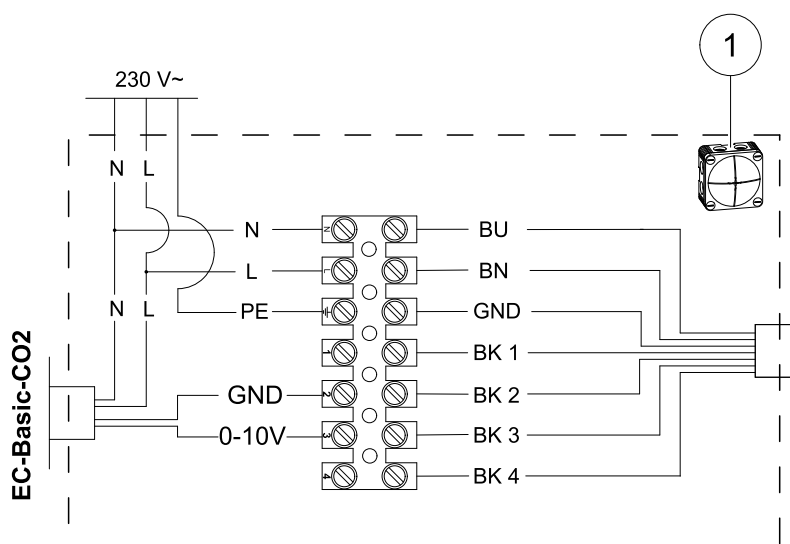


Fig. 7 Anslutning av styrenhet

Installation och anslutning

1. Ta bort kopplingsdosans skyddslock (pos. 1) genom att vrida de fyra lås som finns i varje hörn från position 1 till 0.
 2. Dra ut potentiometern som är ansluten till kopplingsplint 2, 3 och 4
 3. Anslut 0-10 V (4) på tillbehöret till kopplingsplint 3.
 4. Anslut GND (5) på tillbehöret till kopplingsplint 2.
 5. Anslut 230 V – neutralledare (N) till tillbehöret och N-plint på kopplingsplintersraden (blå ledare).
 6. Anslut 230 V – fasledare (L) till tillbehöret och L-plint på kopplingsplintersraden (brun ledare).
 7. Jordledare ansluts till plint på kopplingsplinten märkt med en jordsymbol (gul/grön ledare).
 8. Sätt tillbaka kopplingsdosans skyddslock och lås det.
- VEF ska nu styras efter inomhusklimatets CO₂-värde₂ nivåer nuvärde.

8.2 Spiskåpor

Dessa spiskåpor är utformade med möjlighet att ansluta till luftbehandlingsaggregat som Kryddhyllfläktar.

8.2.1 251-14 EC

Denna produkt blir tillgänglig under det 4e kvartalet 2018.

Systemair spiskåpa är kopplad internt och utrustad med kablar med speciella kontakter för respektive nätanslutning 230 V~ och styrsignal till luftbehandlingsaggregatet (0-10 VDC).

Komponent/produkt - artikelnummer:

- 251-14 EC rostfritt stål – 96803
- 251-14 EC vit – 96804

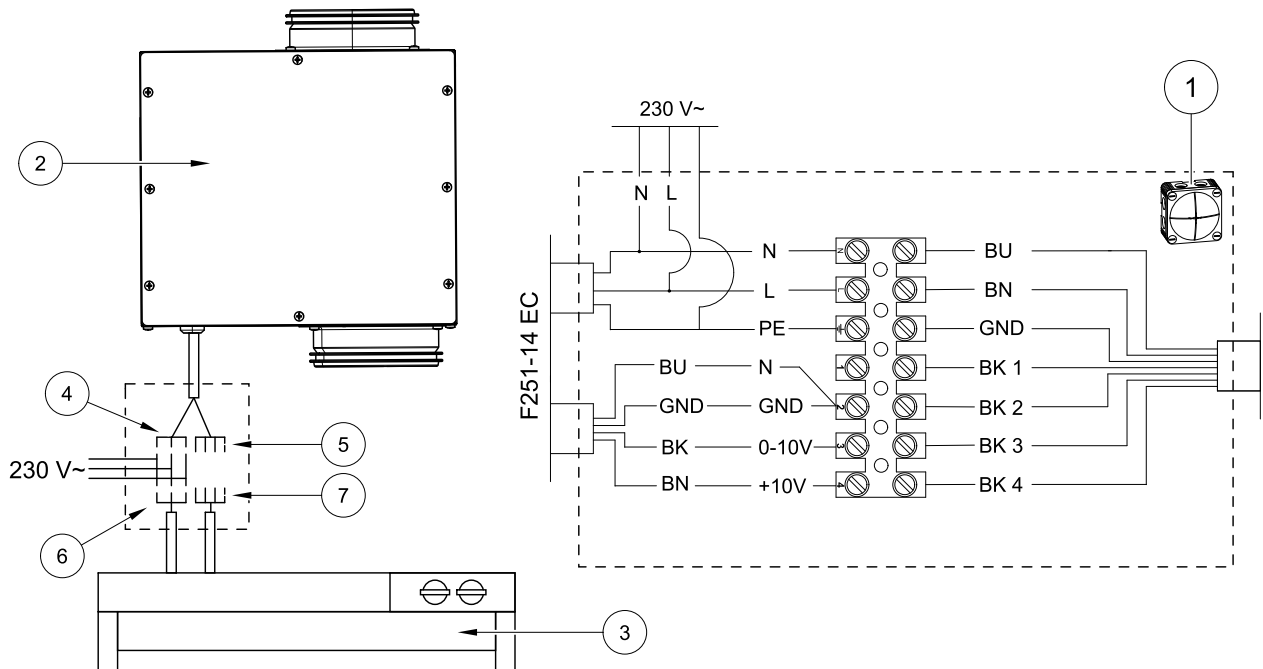


Fig. 8 anslutning av 251-14 EC spiskåpa

Pos.	Beskrivning
1	Kopplingsdosa
2	Kryddhyllfläktar
3	251-14 EC
4	Strömförsörjningsledare (230 V~)
5	Styrsignalsledare (10 VDC)
6	Speciell kontakt (230 V~)
7	Speciell kontakt (styrsignal 10 VDC)

Installation och anslutning

1. Ta bort kopplingsdosans skyddslock (pos. 1) genom att vrida de fyra lås som finns i varje hörn från position 1 till 0.
 2. Dra ut potentiometern som är ansluten till kopplingsplint 2, 3 och 4
 3. Ta bort en speciell kontakt (pos. 6) från spiskåpans strömförsörjningskabel (pos. 3)
 4. Anslut 230 V~ neutralledare (N) till tillbehöret och N stös på kopplingsplintersraden (blå ledare).
 5. Anslut 230 V~ fasledare (L) till tillbehöret och L till kopplingsplint (brun ledare).
 6. Jordledare ansluts till kopplingsplint med ett jordsymbol PE (gul/grön ledare)
 7. Ta bort en speciell kontakt (pos. 7) från spiskåpans styrkabel (pos. 3)
 8. Anslut den blåa ledaren (N) från tillbehöret till kopplingsplint 2 .
 9. Skyddsjordledare (gul/grön) från styrkabeln skall anslutas till kopplingsplint 2.
 10. Anslut den svarta ledaren (1-10V) från tillbehöret till kopplingsplint 3.
 11. Anslut den bruna ledaren (+10V) från tillbehöret till kopplingsplint 4.
 12. Sätt tillbaka kopplingsdosans skyddslock och lås det.
- Kryddhyllfläktar kan nu kontrolleras via spiskåpan.

8.2.1.1 Fläkthastighetskonfigurering

Det är möjligt att justera min- och normal luftflöde med den interna potentiometern placerad bredvid lampan på spiskåpan. Max luftflöde kan inte justeras utan är alltid 10 V.

Potentiometrarna justeras genom att använda en skruvmejsel.

Genom att vrida på potentiometern får man olika styrspänning till fläktarna. För att få en uppfattning om luftflödet som motsvarar varje spänningsutgång se 3.2.3 *Prestanda*. Luftflödesdiagram visar luftflödeskurvor för frånluft.

Luftflödesinställning	Spänningsvariation
Min luftflöde (1)	1,5-5 V
Normalt luftflöde (2)	2-8 V
Max luftflöde (3)	10 V (inte möjligt att ändra)

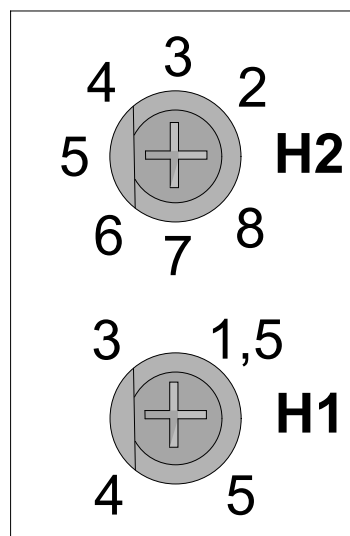


Fig. 2 H1 – spänning min luftflöde, H2 – spänning normalt luftflöde

8.2.2 392-14 Slimline EC

Denna produkt blir tillgänglig under det 4e kvartalet 2018.

Spiskåpa är kopplad internt och utrustad med en kabel för en styrsignal till luftbehandlingsaggregat (0 - 10 VDC) och kabel för nätanlutning.

Komponent/produkt - artikelnummer:

- 392-14 EC Slimline vit – 96805

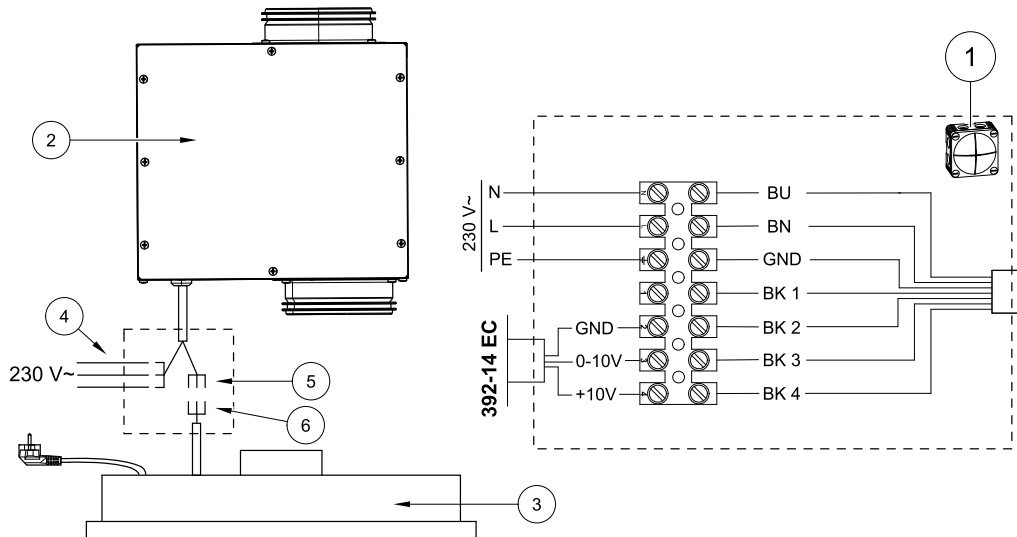


Fig. 9 392-14 Slimline EC anslutning

Installation och anslutning

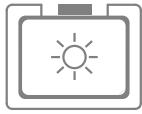
1. Ta bort kopplingsdosans skyddslock (pos. 1) genom att vrida de fyra lås som finns i varje hörn från position 1 till 0.
2. Dra ut potentiometern som är ansluten till kopplingsplint 2, 3 och 4
3. Anslut 230 V~ neutralledare (N) till N på kopplingsplinten (blå ledare).
4. Anslut 230 V~ fasledare (L) till L på kopplingsplinten (brun ledare).
5. Jordledare ansluts till kopplingsplint med ett jordsymbol PE (gul/grön ledare)
6. Skyddsjordledare (grön) från styrkabeln ska anslutas till 2 på kopplingsplinten.
7. Anslut den gula ledaren (1-10V) från tillbehöret till 3 på kopplingsplinten.
8. Anslut den bruna ledaren (+10V) från tillbehöret till kopplingsplint 4.

9. Sätt tillbaka kopplingsdosans skyddslock och lås det.

Kryddhyllfläktar kan nu kontrolleras via spiskåpan.

8.2.2.1 Styrbeskrivning och luftflödeskonfiguration

392-14 Slimline EC spiskåpa manöverpanel har 5 knappar:



Slå på/av spiskåpans belysning.



Öppna/stäng spjäll
Spjället stänger
automatiskt efter 60
min.



Fläkten arbetar med
en min. hastighet
(1,5 V).
Spänningen kan
justeras från 1,5 till 5
V.



Fläkten arbetar med
en medelhög
hastighet (2 V).
Spänningen kan
justeras från 2 till 8
V.








































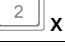

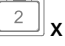


Fläkten arbetar med
en max. hastighet
(10 V)
Spänning kan inte
justeras.
Fläkten stänger
automatiskt av sig
efter 60 min.

Spänningen justeras genom att trycka på spjäll- och luftflödesregleringsknappen samtidigt. Varje tryckning på knappen för luftflödesreglering ökar spänning till fläkten. Efter den maximala tillåtna spänningen är uppnådd för det valda luftflödesvalet återgår värdet till standardinställningen.

Spänningvärde för varje steg visas nedan.

Tabell 1 Luftflödeskonfigurationar

Luftflöde 1	
Kombination	Spänning, V
Standardinställning	1,5
 +  x 1	2
 +  x 2	2,5
 +  x 3	3
 +  x 4	3,5
 +  x 5	4
 +  x 6	4,5
 +  x 7	5
 +  x 8	1,5

Luftflöde 2	
Kombination	Spänning, V
Standardinställning	2
 +  x 1	2,5
 +  x 2	3
 +  x 3	3,5
 +  x 4	4
 +  x 5	4,5
 +  x 6	5
 +  x 7	5,5
 +  x 8	6
 +  x 9	6,7
 +  x 10	7
 +  x 11	7,5
 +  x 12	8
 +  x 13	2

© Copyright Systemair UAB

Alle Rechte vorbehalten

E&OE

Systemair UAB behält sich das Recht vor, ihre Produkte ohne vorherige Ankündigung zu ändern.

Dies gilt auch für bereits bestellte Produkte, sofern die vorher vereinbarten Spezifikationen nicht beeinflusst werden.

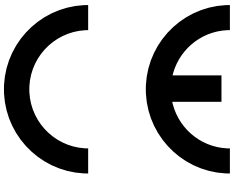
Systemair haftet nicht oder ist durch Gewährleistung verpflichtet, wenn diese Anweisungen bei der Installation oder dem Service nicht eingehalten werden.

Inhaltsverzeichnis

1	Konformitätserklärung.....	45
2	Warnhinweise	46
3	Produktinformationen	46
3.1	Allgemeines.....	46
3.2	Technische Daten.....	46
3.2.1	Abmessungen und Gewicht	47
3.2.2	Kanalanschlüsse.....	48
3.2.3	Leistung	48
3.2.4	Schaltplan.....	49
3.3	Transport und Lagerung.....	50
4	Installation.....	50
4.1	Installation der Ventilatoren.....	50
5	Inbetriebnahme	52
6	Wartung.....	53
6.1	Wichtige Hinweise.....	53
6.2	Wartungsintervalle	53
6.3	Reinigung des Ventilators.....	53
7	Fehlersuche	55
8	Zubehör	55
8.1	Regler.....	55
8.1.1	MTP 10/10K Drehzahlsteuergerät	55
8.1.2	MTP 20 Drehzahlregler, 3- stufig.....	55
8.1.3	Feuchte - Bedarfssteuerung	56
8.1.4	CO ₂ - Bedarfssteuerung	57
8.2	Dunstabzugshaube	58
8.2.1	251-14 EC	58
8.2.2	392-14 Slimline EC	59

1 Konformitätserklärung

Der Hersteller



Systemair UAB
 Linų st. 101
 LT-20174 Ukmergė, LITAUEN
 Büro: +370 340 60165 Fax: +370 340 60166
 www.systemair.com

erklärt hiermit, dass die folgenden Produkte:

VEF 1, VEF 2, VEF 4

(Die Erklärung gilt nur für die Produkte, wie sie in die Einrichtung geliefert und dort gemäß den dazugehörigen Installationsanweisungen installiert wurden. Die Versicherung deckt keine Komponenten ab, die hinzugefügt werden, oder Arbeiten, die anschließend an dem Produkt ausgeführt werden.)

Alle anwendbaren Anforderungen der folgenden Richtlinien sind einzuhalten:

- Maschinenrichtlinie 2006/42/EG
- Niederspannungsrichtlinie 2014/35/EU
- EMV-Richtlinie 2014/30/EU
- Ökodesign-Richtlinie 2009/125/EG

Die folgenden Regelungen werden in den relevanten Teilen angewandt:

1253/2014	Anforderungen an Lüftungsgeräte
1254/2014	Energieverbrauchskennzeichnung für Wohnraumlüftungsgeräte
327/2011	Anforderungen an Ventilatoren über 125 W

Die folgenden harmonisierten Normen werden an den entsprechenden Stellen angewendet:

EN ISO 12100:2010	Sicherheit von Maschinen - Allgemeine Gestaltungsleitsätze - Risikobeurteilung und Risikoreduzierung
EN 13857	Sicherheit von Maschinen - Sicherheitsabstände gegen das Erreichen von Gefährdungsbereichen mit den oberen und unteren Gliedmaßen
EN 60 335-1	Elektrische Geräte für den Hausgebrauch und ähnliche Zwecke - Sicherheit Teil 1: Allgemeine Anforderungen
EN 60 335-2-40	Sicherheit elektrischer Geräte für den Hausgebrauch und ähnliche Zwecke - Teil 2-40: Besondere Anforderungen für elektrisch betriebene Wärmepumpen, Klimageräte und Raumluftentfeuchter
EN 62233	Verfahren zur Messung der elektromagnetischen Felder von Haushaltgeräten und ähnlichen Elektrogeräten im Hinblick auf die Sicherheit von Personen in elektromagnetischen Feldern
EN 50 106:2007	Sicherheit elektrischer Geräte für den Hausgebrauch und ähnliche Zwecke - Besondere Regeln für Stückprüfungen von Geräten im Anwendungsbereich der EN 60 335-1 und EN 60967.
EN 61000-6-2	Elektromagnetische Verträglichkeit (EMV) - Teil 6-2: Fachgrundnorm - Störfestigkeit für Industriebereiche
EN 61000-6-3	Elektromagnetische Verträglichkeit (EMV) - Teil 6-3: Fachgrundnorm - Emissionsnormen für Wohnbereich, Geschäfts- und Gewerbebereich sowie Kleinbetriebe

Skinnskatteberg, 21.09.2017

Mats Sándor

Technischer Leiter

2 Warnhinweise

Die folgenden Hinweise kommen in den verschiedenen Abschnitten des Dokuments vor:



Gefahr

Weist auf eine potenziell oder unmittelbar gefährliche Situation hin, die, wenn sie nicht vermieden wird, zum Tod oder zu schweren Verletzungen führt.



Warnung

Weist auf eine potenziell gefährliche Situation hin, die zu leichten oder mittelschweren Verletzungen führen kann.



Vorsicht

Weist auf ein Risiko für eine Gerätebeschädigung oder die Verhinderung eines optimalen Betriebs hin.

3 Produktinformationen



Vorsicht

- Treffen Sie Vorkehrungen, um die Rückströmung von Abgasen von anderen Geräten zu verhindern, die im selben Raum installiert sind und die mit Gas oder anderen Brennstoffen beheizt werden.
- Dieses Gerät kann von Kindern ab 8 Jahren sowie von Personen mit eingeschränkten körperlichen, sensorischen bzw. geistigen Fähigkeiten, mangelnder Erfahrung bzw. fehlendem Wissen verwendet werden, sofern diese eine Beaufsichtigung bzw. Anweisung für die Nutzung des Geräts erfahren haben und die damit verbundenen Gefahren verstehen. Kinder dürfen nicht mit dem Gerät spielen. Reinigung und Wartung durch den Benutzer dürfen nicht unbeaufsichtigt von Kindern durchgeführt werden.

3.1 Allgemeines

Diese Installationsanleitung gilt für VEF 1, VEF 2, VEF 4 hergestellt von Systemair UAB.

Die Einbauventilatoren werden mit einem Potentiometer (0-10 V) geliefert. Das integrierte Potentiometer ist werkseitig auf 10 V voreingestellt. Dieser Wert kann manuell geändert werden, um eine andere Motordrehzahl/Ventilatorleistung zu erzielen. Ein externes Potentiometer kann bei Bedarf angeschlossen werden. In diesem Fall muss das interne Potentiometer von den Anschlussklemmen getrennt werden.

Dieses Handbuch enthält grundlegende Informationen und Empfehlungen hinsichtlich Bauart, Installation, Inbetriebnahme und Betrieb zur Gewährleistung eines ordnungsgemäßen und fehlerfreien Gerätebetriebs. Für den korrekten und sicheren Betrieb des Geräts ist es wichtig, dieses Handbuch sorgfältig durchzulesen, das Gerät entsprechend den Anweisungen zu nutzen und die Sicherheitsvorgaben zu befolgen.

Einbauventilator-Modelle sind für den Lufttransport in Lüftungssystemen vorgesehen. Die Ventilatoren sind für den Einsatz in Kanalsystemen ausgelegt und sollten stets saugseitig an einen Kanal angeschlossen werden. Nach der Installation dürfen keine beweglichen Teile zugänglich sein. Einbauventilator sind für einen Dauerbetrieb ausgelegt.

Produkt und Artikelnummer:

- VEF 1 – 88685
- VEF 2 – 88684
- VEF 4 – 88686

3.2 Technische Daten

Sichere Betriebstemperatur von -25° C bis +40° C.

3.2.1 Abmessungen und Gewicht

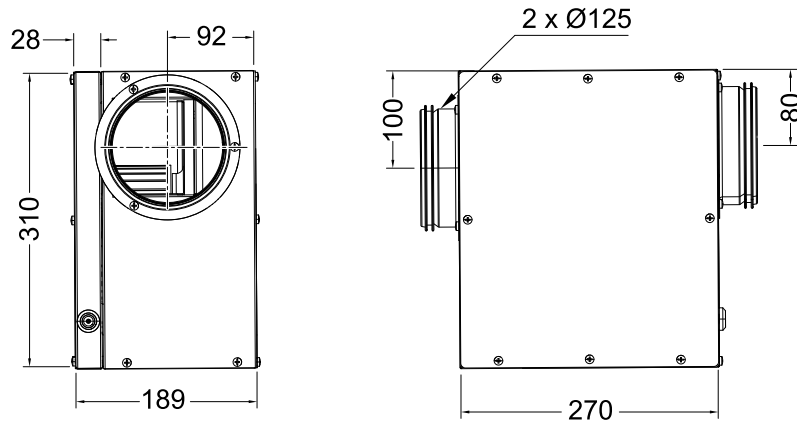


Bild 1 Abmessungen der VEF 1 Einbauventilatoren

Das Gewicht der VEF 1 Einbauventilatoren beträgt 6.25kg.

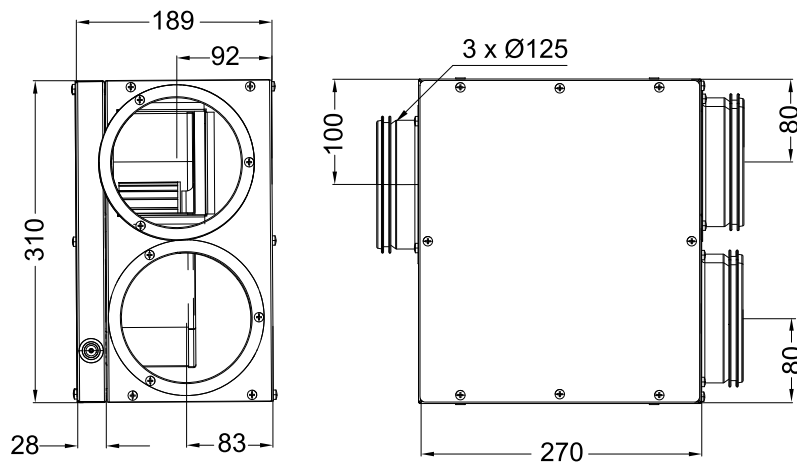


Bild 2 Abmessungen der VEF 2 Einbauventilatoren

Das Gewicht der VEF 2 Einbauventilatoren beträgt 6.25kg.

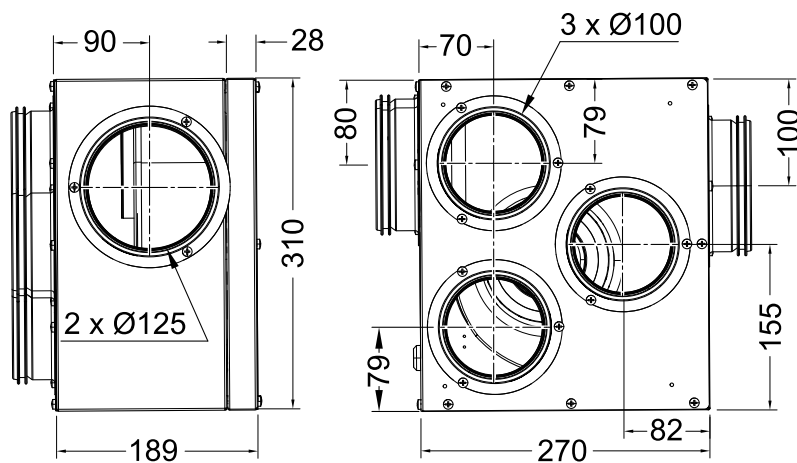
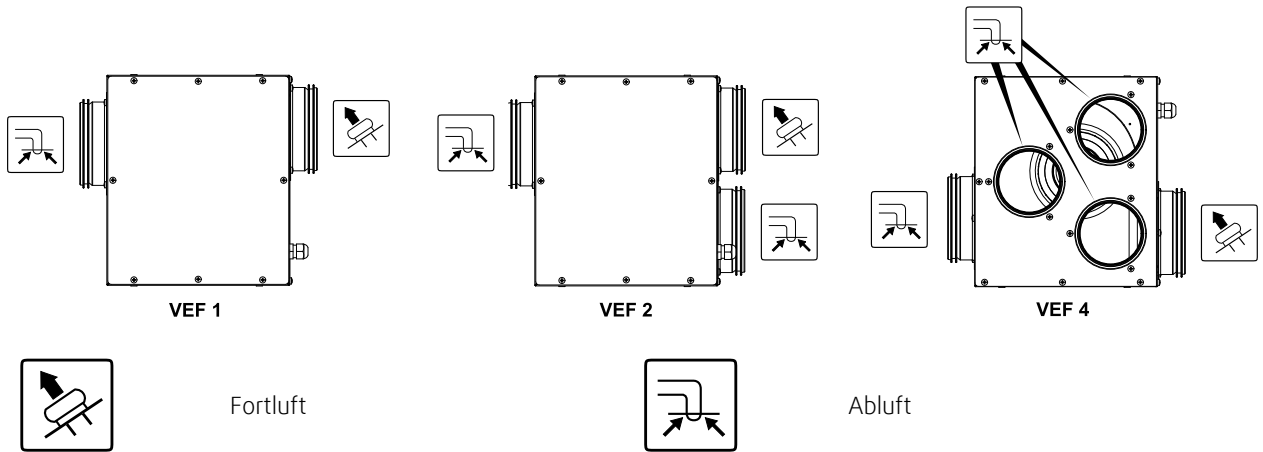


Bild 3 Abmessungen der VEF 4 Einbauventilatoren

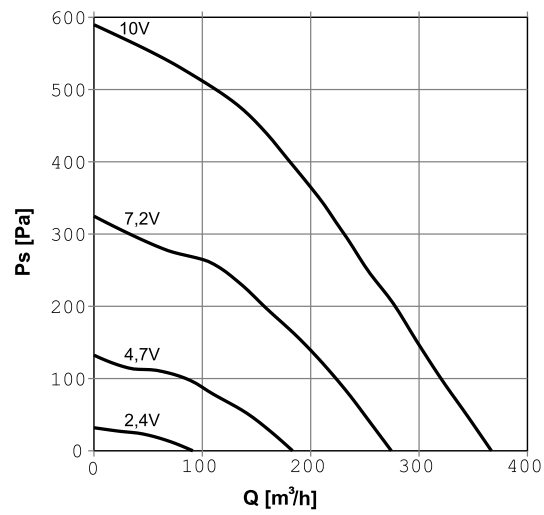
Das Gewicht der VEF 4 Einbauventilatoren beträgt 6.335kg.

3.2.2 Kanalanschlüsse

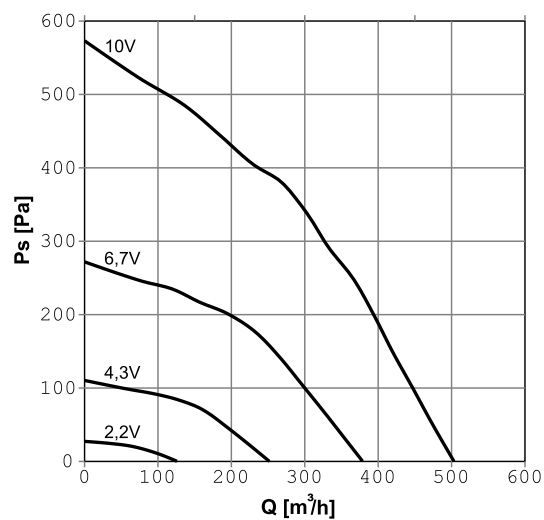


3.2.3 Leistung

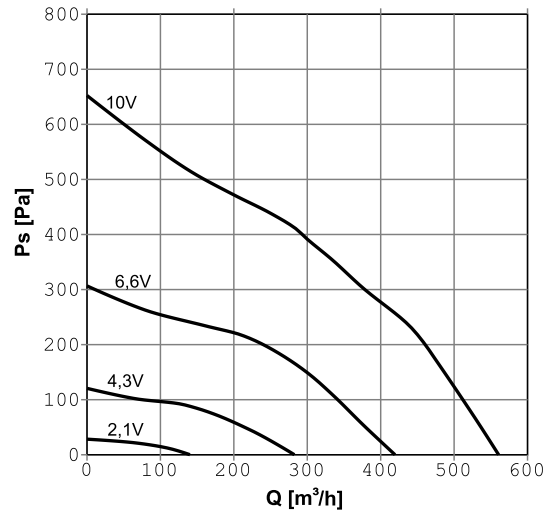
3.2.3.1 VEF 1 Leistungskurven



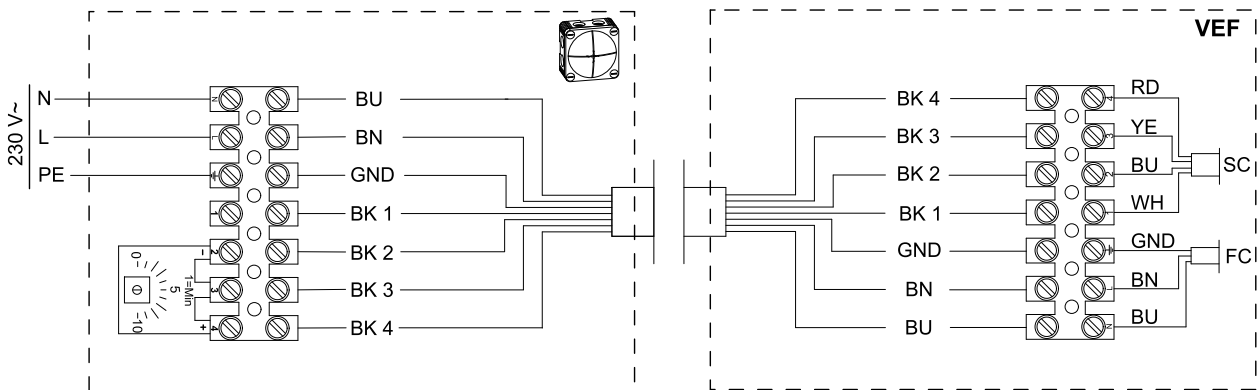
3.2.3.2 VEF 2 Leistungskurven



3.2.3.3 VEF 4 Leistungskurven



3.2.4 Schaltplan



L	Versorgungsanschluss, Stromversorgung, Phase siehe Typenschild Spannungsbereich
N	Versorgungsanschluss, Stromversorgung, Nulleiter siehe Typenschild Spannungsbereich
PE	Masseverbindung
1	Inaktiv. Tachosignal, Open Collector, 1 Impuls pro Umdrehung, max = 10 mA, SELV
2 (-)	Bezugsmasse für Steuerschnittstelle, SELV
3	0-10 V / PWM Steuereingang, Ri=100 kΩ, SELV
4 (+)	Festspannungsausgang 10 VDC +/- 3 %, max. 10 mA, kurzschlussfest, Spannungsversorgung für ext. Geräte, SELV
BU	Blau
BN	Braun
BK	Schwarz
GND	Masse
RD	Rot
YE	Gelb
WH	Weiß
SC	Signalkabel
FC	Ventilator-kabel

3.3 Transport und Lagerung

Alle Ventilatoren werden im Werk so verpackt, dass sie einer normalen Transporthandhabung standhalten. Zur Handhabung der Geräte geeignete Hebeausrüstung verwenden, um eine Beschädigung der Ventilatoren und Verletzung von Personal zu vermeiden. Schläge und Stoßbelastungen vermeiden. Die Ventilatoren bis zur endgültigen Installation an einem trockenen Ort lagern, der gegen Wittereinflüsse und Schmutz geschützt ist.



Warnung

- Das Gerät ist schwer. Seien Sie vorsichtig bei Transport und Installation. Es besteht Einklemmungsgefahr. Tragen Sie Schutzkleidung.
- Heben Sie die Ventilatoren nicht an Anschlusskabel, Anschlusskasten, Motorhalterung, Laufrad oder Einströmdüse an.

4 Installation



Gefahr

- Achten Sie darauf, dass die Netzstromversorgung des Geräts getrennt ist, bevor Sie Wartungsarbeiten oder elektrische Arbeiten ausführen!
- Alle elektrischen Anschlüsse müssen durch einen autorisierten Installateur und in Übereinstimmung mit den lokalen Vorschriften und Bestimmungen vorgenommen werden.



Warnung

- Der elektrische Anschluss des Gerätes an der Netzstromversorgung muss über einen Leistungsschalter mit einem Kontaktabstand von mindestens 3 mm erfolgen.
- Heben Sie die Ventilatoren nicht an Anschlusskabel, Anschlusskasten, Motorhalterung, Laufrad oder Einströmdüse an.
- Die Ventilatoren dürfen nicht in explosionsgefährdeten Bereichen verwendet oder an Rauchgaskanäle angeschlossen werden.
- Das Gerät muss in der festen Installation mit einem Netztrennschalter verbunden werden.



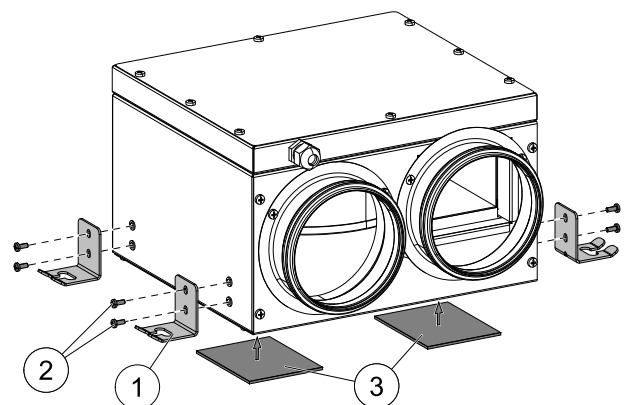
Vorsicht

- Vergewissern Sie sich, dass das Schutzgitter installiert wurde (EN ISO 13857). Nach der Installation dürfen keine beweglichen Teile erreichbar sein.
- Sicherheitszubehör (z.B. Motorschutz, Schutzgitter) darf nicht entfernt, kurzgeschlossen oder getrennt werden.

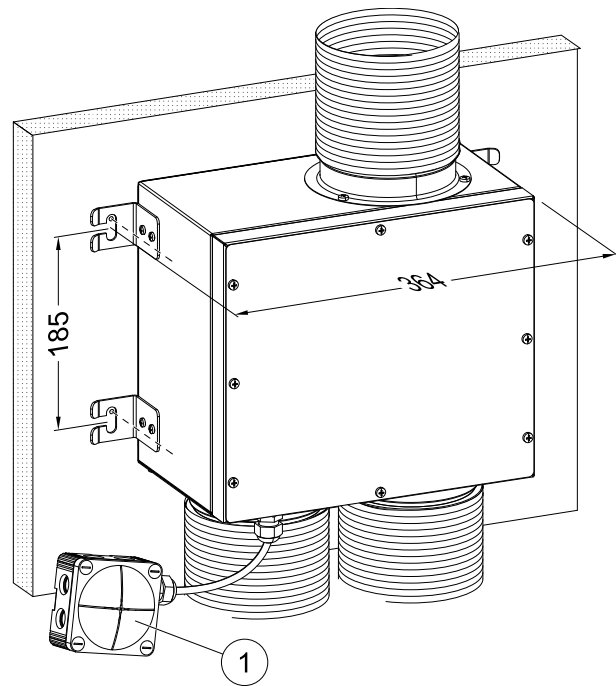
4.1 Installation der Ventilatoren

- 1 Montieren Sie vier Befestigungsbügel (Pos. 1) an den vorgesehenen Positionen an der Seite des Ventilatorgehäuse. Mitgelieferte Schrauben verwenden (Pos. 2). Dieser Schritt kann übersprungen werden, falls die Befestigungsbügel nicht für die Installation verwendet werden.

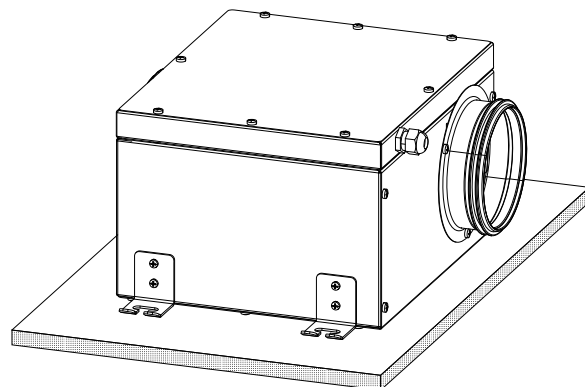
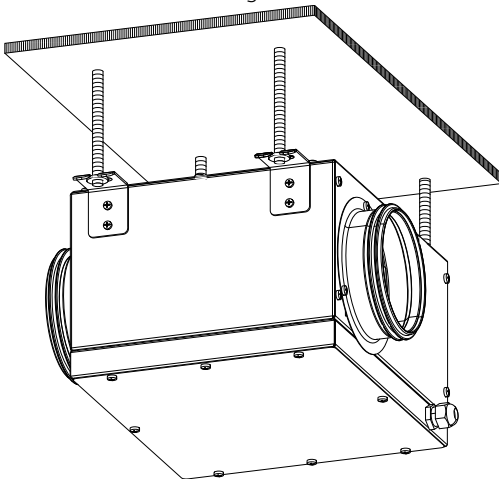
Kleben Sie die beiliegenden selbstklebenden Anti-Vibrationsgummis auf den Einbauventilator.



- 2 Installieren Sie den Einbauventilator an der gewünschten Stelle. Der Einbauventilator kann in jeder Lage und an jedem Ort installiert werden: Boden, Wand, Decke. Entfernen Sie die Abdeckung des Klemmkastens (Pos. 1) durch Drehen der vier Verriegelungen in den Ecken von Position 1 auf Position 0.



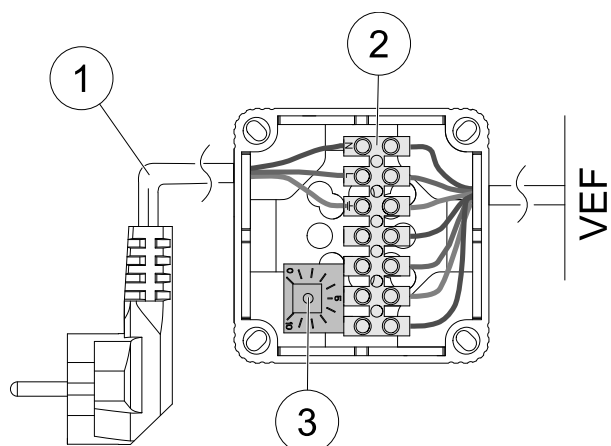
Andere Installationsmöglichkeiten:



- 3 Führen Sie das Stromversorgungskabel (Pos. 1) durch die Bohrung an der Seite des Klemmkastens. Drähte an den Klemmenblock (Pos. 2) gemäß Verdrahtungsdiagramm (3.2.4 *Schaltplan*, Seite 49) anschließen. Die Gebläsedrehzahl kann durch Drehen des Dreh Schalters am Potentiometer (Pos. 3) auf verschiedene Positionen von 1 bis 10 eingestellt werden.

- 1 - Niedrigste Drehzahl
- 10 - Höchste Drehzahl

- 4 Setzen Sie die Abdeckung des Klemmkastens wieder auf und verriegeln Sie sie.



5 Inbetriebnahme



Gefahr

- Alle elektrischen Anschlüsse müssen durch einen autorisierten Installateur und in Übereinstimmung mit den lokalen Vorschriften und Bestimmungen vorgenommen werden.

Vor dem ersten Betrieb sind folgende Punkte zu überprüfen:

- Elektrischer Anschluss wurde korrekt ausgeführt.
- Schutzerdung wurde angeschlossen.
- Sicherheitsvorrichtungen (Schutzgitter) sind vorhanden.
- Überschüssige Installationsmaterialien und Fremdkörper wurden vom Gehäuse entfernt.

Testen der Installation:

- Im Elektrofach kann während des Tests eine Anpassung erforderlich sein (z.B. Änderungen am Potentiometer). Während des Betriebs muss die Abdeckung jedoch geschlossen sein.

Bei der Inbetriebnahme sind folgende Punkte zu überprüfen:

- Anschlussdaten entsprechen den Angaben auf dem Typenschild: Höchstspannung +6%, -10% gemäß IEC 38. Der Nennstrom darf bei Nennspannung nicht um mehr als 5% überschritten werden.
- Die Drehrichtung muss mit dem Drehrichtungspfeil übereinstimmen (3-phasig).
- Ruhig laufender Motor (keine Störgeräusche).

6 Wartung

6.1 Wichtige Hinweise



Gefahr

- Unterbrechen Sie vor Service- oder Wartungsarbeiten die Stromversorgung (per allpoligem Trennschalter) und stellen Sie sicher, dass das Laufrad zum Stillstand gekommen ist.
- Achten Sie darauf, dass die Netzstromversorgung des Geräts getrennt ist, bevor Sie Wartungsarbeiten oder elektrische Arbeiten ausführen!
- Sicherheitszubehör (z.B. Motorschutz, Schutzgitter) darf nicht entfernt, kurzgeschlossen oder getrennt werden.
- Das Ventilatorlaufrad muss vollständig zum Stillstand gekommen sein.
- Im Falle einer Beschädigung des Stromversorgungskabels muss dieses vom Hersteller, seinem Servicevertreter oder einer ähnlichen qualifizierten Person ausgewechselt werden, um eine Gefährdung zu vermeiden.
- Das Gerät ist schwer. Seien Sie vorsichtig bei Transport und Installation. Es besteht Einklemmungsgefahr. Tragen Sie Schutzkleidung.
- Heben Sie die Ventilatoren nicht an Anschlusskabel, Anschlusskasten, Motorhalterung, Laufrad oder Einströmdüse an.

6.2 Wartungsintervalle

Der Ventilator sollte bei Bedarf, jedoch mindestens einmal pro Jahr gereinigt werden, um Unwuchten und unnötige Schäden an den Lagern zu vermeiden. Die Ventilatorlager sind wartungsfrei und sollten nur im Fall einer Beschädigung ausgewechselt werden. Zum Reinigen des Ventilators keinen Hochdruckreiniger (Dampfstrahl) verwenden. Stellen Sie sicher, dass die Ausgleichsgewichte des Ventilatorlaufrads nicht bewegt wurden und dass das Ventilatorlaufrad nicht verzogen ist. Achten Sie beim Betrieb auf Störgeräusche.

6.3 Reinigung des Ventilators



Warnung

- Achten Sie darauf, dass die Netzstromversorgung des Geräts getrennt ist, bevor Sie Wartungsarbeiten oder elektrische Arbeiten ausführen!
- Das Ventilatorlaufrad muss vollständig zum Stillstand gekommen sein.
- Das Gerät ist schwer. Stellen Sie sicher, dass die Motorhalterung mit der Arretierung verbunden ist, damit der Motor nicht bei der Wartung herunterfallen kann.



Gefahr

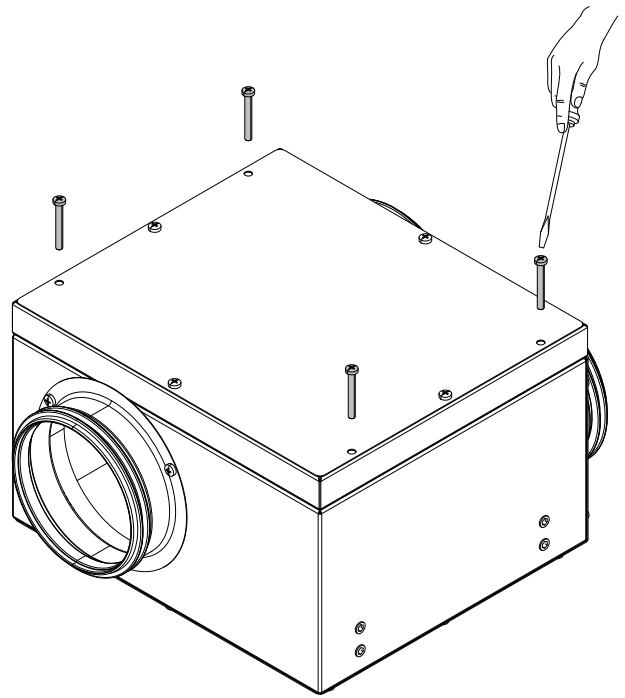
- Sorgen Sie dafür, dass der Motor nicht herunterfallen kann.



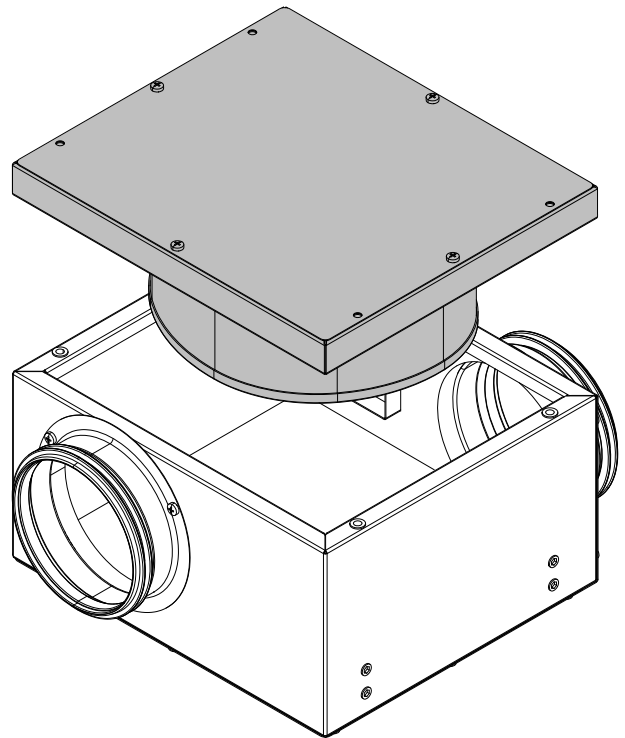
Vorsicht

- Achten Sie bei der Wartung auf scharfe Kanten. Tragen Sie Schutzhandschuhe. Es besteht Einklemmungsgefahr.
- Die Ventilatoren können scharfe Kanten und Ecken aufweisen, die Verletzungen verursachen können. Beim Öffnen der Ventilatoren ist Vorsicht geboten. Der an der Motorhalterung befestigte Motor ist relativ schwer.

- 1 Entfernen Sie vier Schrauben, die sich am nächsten an jeder Ecke befinden.



- 2 Heben Sie den Deckel vorsichtig an. Den Ventilator reinigen.
- 3 Setzen Sie die Abdeckung wieder auf und befestigen Sie sie mit den zuvor entfernten Schrauben.



7 Fehlersuche

Folgendes gilt, wenn der Ventilator angehalten hat:

- Versuchen Sie, den Ventilator nach einer mehrminütigen Stromunterbrechung neu zu starten.
- Stellen Sie sicher, dass das Laufrad nicht blockiert ist. Unterbrechen Sie die Stromversorgung und entfernen Sie etwaige Hindernisse. Prüfen Sie, ob der Ventilator nach erneuter Verbindung der Stromversorgung startet. Sollte der Ventilator nicht starten, wenden Sie sich an Ihren Händler.

8 Zubehör



Gefahr

- Achten Sie darauf, dass die Netzstromversorgung des Geräts getrennt ist, bevor Sie Wartungsarbeiten oder elektrische Arbeiten ausführen!
- Alle elektrischen Anschlüsse müssen durch einen autorisierten Installateur und in Übereinstimmung mit den lokalen Vorschriften und Bestimmungen vorgenommen werden.

8.1 Regler

8.1.1 MTP 10/10K Drehzahlsteuergerät

Drehzahlsteuergerät zur manuellen Steuerung der Drehzahl und Luftstrom über ein 0-10V Signal von Einbauventilator.

Komponente/Produkt – Artikelnummer:

- MTP 10, 10K, Drehzahlsteuerung – 32731

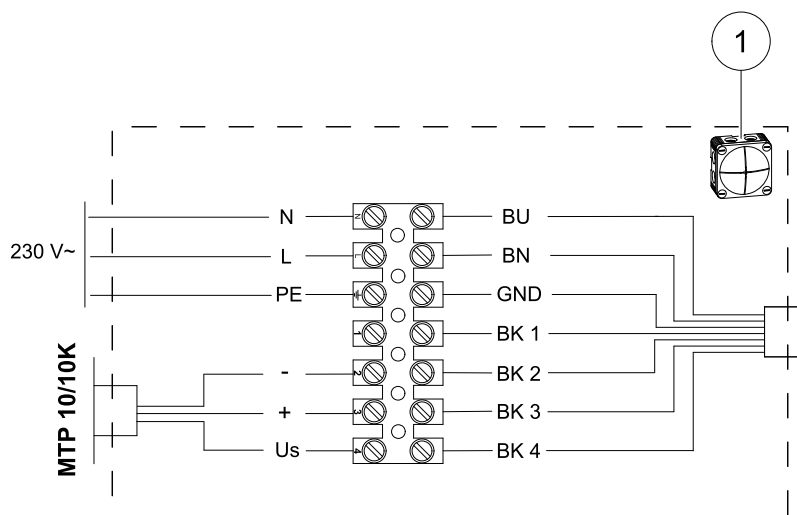


Bild 4 Regleranschluss

Installation und Anschluss

1. Entfernen Sie die Abdeckung des Klemmkastens (Pos. 1) durch Drehen der vier Verriegelungen in den Ecken von Position 1 auf Position 0.
 2. Potentiometer, das an den Klemmen 2, 3 und 4 des Klemmblocks angeschlossen ist, herausziehen.
 3. Verbinden Sie + (4) des Zubehörs mit der Klemme 3 des Klemmblocks.
 4. Verbinden Sie + (5) des Zubehörs mit der Klemme 2 des Klemmblocks.
 5. Verbinden Sie Us des Zubehörs mit der Klemme 4 des Klemmblocks.
 6. Setzen Sie die Abdeckung des Klemmkastens wieder auf und verriegeln Sie sie.
- Einbauventilator kann nun mit einem externen Steuergerät gesteuert werden.

8.1.2 MTP 20 Drehzahlregler, 3-stufig

Ein 3-stufiges Potentiometer zur Drehzahlsteuerung mit Ein- und Ausschaltfunktion. Die 10 V-Versorgungsspannung wird in drei Stufen umgewandelt, um eine minimale, mittlere und maximale Stufe zu erhalten. Die Stufen 1 und 2 können an die Umgebungsbedingungen angepasst werden.

Komponente/Produkt – Artikelnummer:

- MTP 20, Ein/Aus, 3-stufig – 310220

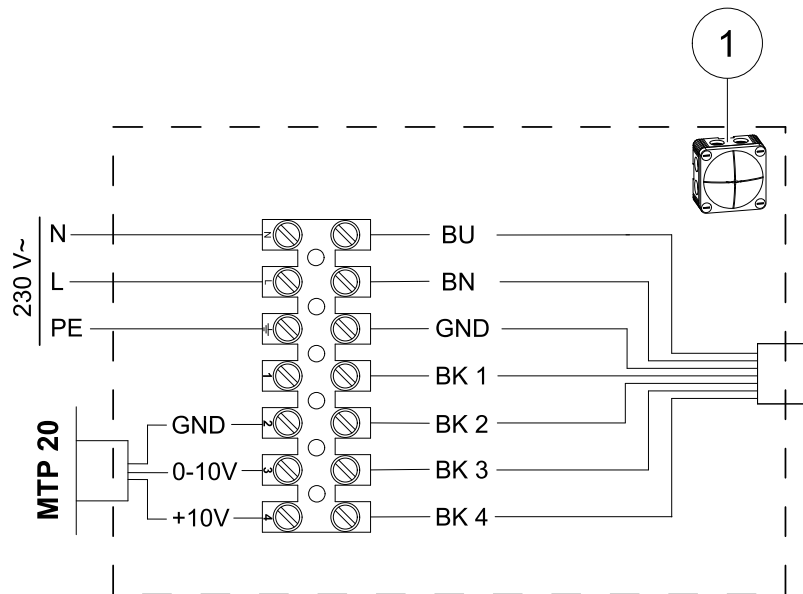


Bild 5 Regleranschluss

Installation und Anschluss

1. Entfernen Sie die Abdeckung des Klemmkastens (Pos. 1) durch Drehen der vier Verriegelungen in den Ecken von Position 1 auf Position 0.
2. Potentiometer, das an den Klemmen 2, 3 und 4 des Klemmblocks angeschlossen ist, herausziehen.
3. Dieser Schritt kann übersprungen werden, wenn die Stromversorgung bereits angeschlossen ist.
Führen Sie das Stromversorgungskabel durch das Loch an der Seite des Klemmkastens. Schließen Sie die Adern gemäß dem Anschlussplan an den Klemmblock an.
4. Verbinden Sie die rote Ader (+10V) vom Zubehör mit der Klemme 4 des Klemmblocks.
5. Verbinden Sie die blaue Ader (GND) vom Zubehör mit der Klemme 2 des Klemmblocks.
6. Verbinden Sie den Regelungseingang (1-10V) vom Zubehör mit der Klemme 3 des Klemmblocks.
7. Setzen Sie die Abdeckung des Klemmkastens wieder auf und verriegeln Sie sie.

Einbauventilator kann nun mit einem externen Steuergerät gesteuert werden.

8.1.3 Feuchte - Bedarfssteuerung

Der Regler vergleicht die Raumfeuchte mit einem einstellbaren Sollwert (SW1) und regelt ein 0...10 V Ausgangssignal an einen Ventilator mit einem proportionalen Algorithmus in direkter oder umgekehrter Wirkung, basierend auf der Einstellung des Jumpers JP1, wodurch der Energieverbrauch zur Aufrechterhaltung des Raumklimas deutlich reduziert wird.

Komponente/Produkt – Artikelnummer:

- EC-Basis-H Feuchte – 24807

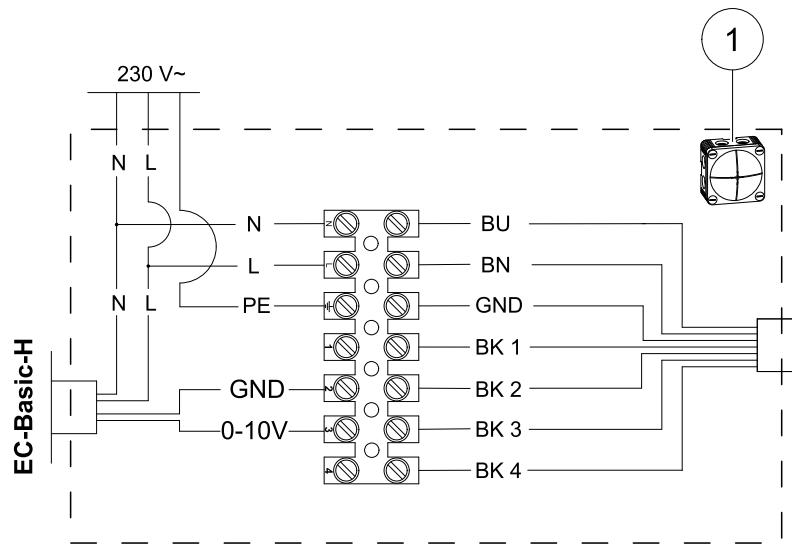


Bild 6 Regleranschluss

Installation und Anschluss

1. Entfernen Sie die Abdeckung des Klemmkastens (Pos. 1) durch Drehen der vier Verriegelungen in den Ecken von Position 1 auf Position 0.
 2. Potentiometer, das an den Klemmen 2, 3 und 4 des Klemmblocks angeschlossen ist, herausziehen.
 3. Verbinden Sie 0-10V (4) des Zubehörs mit der Klemme 3 des Klemmblocks.
 4. Verbinden Sie GND (5) des Zubehörs mit der Klemme 2 des Klemmblocks.
 5. Schließen Sie den 230 V~ Nulleiter (N) an das Zubehör und die N-Klemme des Klemmblocks (blaue Ader) an.
 6. Schließen Sie den 230 V~ Phase (L) an das Zubehör und die L-Buchse des Klemmblocks (braune Ader) an.
 7. Der Erdungsanschluss ist an der Buchse des Klemmblocks mit dem Erdungssymbol (gelb/grüne Ader) anzuschließen.
 8. Setzen Sie die Abdeckung des Klemmkastens wieder auf und verriegeln Sie sie.
- VEF soll jetzt entsprechend der Raumluftfeuchtigkeit geregelt werden.

8.1.4 CO₂ - Bedarfssteuerung

Der Regler vergleicht die Raumfeuchte mit einem einstellbaren Sollwert (CO₂) und regelt ein 0...10 V Ausgangssignal an einen Ventilator mit einem proportionalen Algorithmus in direkter oder umgekehrter Wirkung, basierend auf der Einstellung des Jumpers JP1, wodurch der Energieverbrauch zur Aufrechterhaltung des Raumklimas deutlich reduziert wird.

Komponente/Produkt – Artikelnummer:

- EC-Basis-CO₂ und Temperatur – 24808

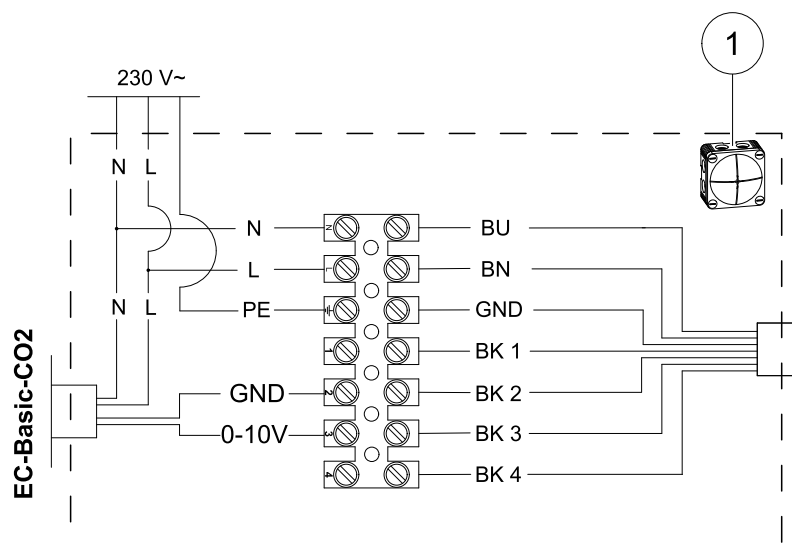


Bild 7 Regleranschluss

Installation und Anschluss

1. Entfernen Sie die Abdeckung des Klemmkastens (Pos. 1) durch Drehen der vier Verriegelungen in den Ecken von Position 1 auf Position 0.
 2. Potentiometer, das an den Klemmen 2, 3 und 4 des Klemmblocks angeschlossenen ist, herausziehen.
 3. Verbinden Sie 0-10V (4) des Zubehörs mit der Klemme 3 des Klemmblocks.
 4. Verbinden Sie GND (5) des Zubehörs mit der Klemme 2 des Klemmblocks.
 5. Schließen Sie den 230 V~ Nulleiter (N) an das Zubehör und die N-Klemme des Klemmblocks (blaue Ader) an.
 6. Schließen Sie den 230 V~ Phase (L) an das Zubehör und die L-Buchse des Klemmblocks (braune Ader) an.
 7. Der Erdungsanschluss ist an der Buchse des Klemmblocks mit dem Erdungssymbol (gelb/grüne Ader) anzuschließen.
 8. Setzen Sie die Abdeckung des Klemmkastens wieder auf und verriegeln Sie sie.
- VEF soll jetzt entsprechend des Raum CO Gehalts geregelt werden.2 jetzt nivelliert.

8.2 Dunstabzugshaube

Diese Dunstabzugshauben wurden mit der Anschlussmöglichkeit an Lüftungsgeräte entworfen, wie z.B. Einbauventilator.

8.2.1 251-14 EC

Dieses Produkt ist ab dem 4. Quartal 2018 erhältlich.

Die Dunstabzugshaube ist fertig verdrahtet und mit externen Kabeln mit Spezialsteckern für die jeweilige Netzspannung 230 V~ und Steuersignal zum Lüftungsgerät (0-10 VDC) ausgestattet.

Komponente/Produkt – Artikelnummer:

- 251-14 EC Edelstahl – 96803
- 251-14 EC Weiß – 96804

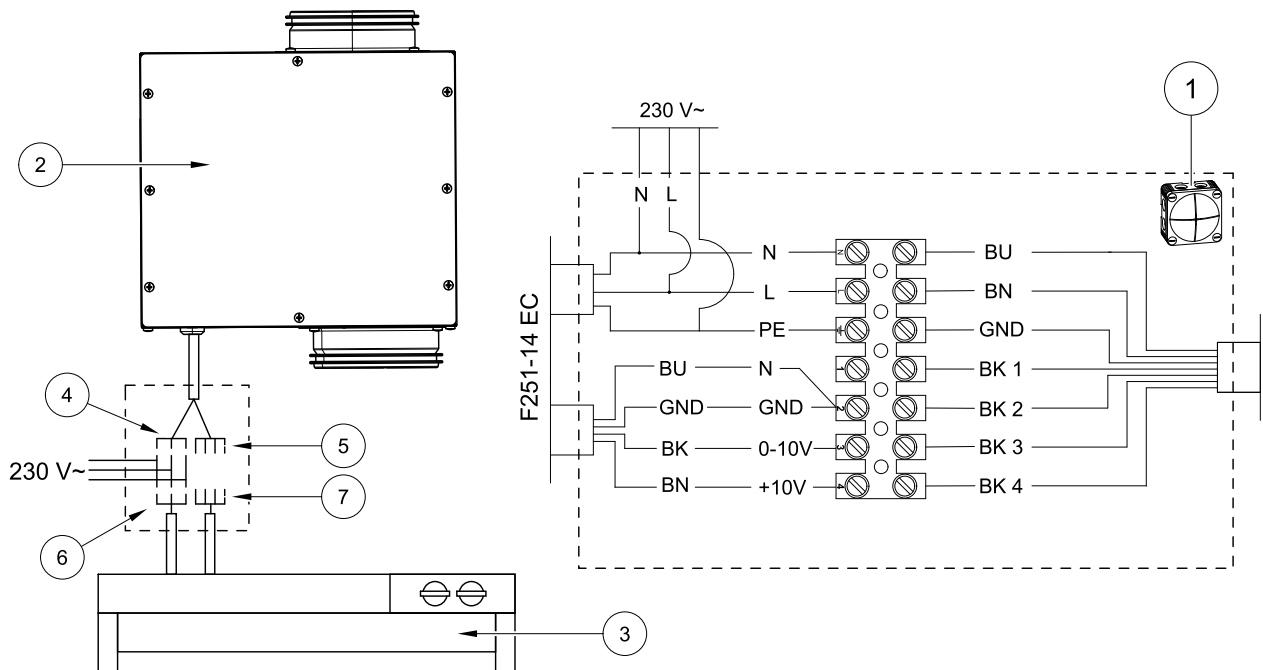


Bild 8 251-14 EC Verbindung Dunstabzugshaube

Position	Beschreibung
1	Klemmkasten
2	Einbauventilator
3	251-14 EC
4	Stromversorgungsleitungen (230 V~)
5	Steuersignalleitungen (10 VDC)

Position	Beschreibung
6	Spezieller Stecker (230 V~)
7	Spezieller Stecker (Steuersignal 10 VDC)

Installation und Anschluss

- Entfernen Sie die Abdeckung des Klemmkastens (Pos. 1) durch Drehen der vier Verriegelungen in den Ecken von Position 1 auf Position 0.
 - Potentiometer, das an den Klemmen 2, 3 und 4 des Klemmblocks angeschlossen ist, herausziehen.
 - Entfernen Sie einen spezieller Stecker (Pos. 6) von einem Netzkabel der Dunstabzugshaube (Pos. 3)
 - Schließen Sie den 230 V~ Nulleiter (N) an das Zubehör und die N-Klemme des Klemmblocks (blaue Ader) an.
 - Schließen Sie den 230 V~ Phase (L) an das Zubehör und die L-Buchse des Klemmenblocks (braune Ader) an.
 - Der Erdungsanschluss ist an der Buchse des Klemmblocks mit dem Erdungssymbol (gelb/grüne Ader) anzuschließen.
 - Entfernen Sie einen spezieller Stecker (Pos. 7) von einem Steuerungskabel der Dunstabzugshaube (Pos. 3)
 - Verbinden Sie die blaue Ader (N) vom Zubehör mit der Klemme 2 des Klemmblocks.
 - Der Schutzleiter (gelb/grün) der Steuerleitung ist an Klemme 2 des Klemmblocks anzuschließen.
 - Verbinden Sie die schwarze Ader (1 - 10V) vom Zubehör mit der Klemme 3 des Klemmblocks.
 - Verbinden Sie die braune Ader (+10V) vom Zubehör mit der Klemme 4 des Klemmblocks.
 - Setzen Sie die Abdeckung des Klemmkastens wieder auf und verriegeln Sie sie.
- Einbauventilator kann jetzt mit einer Dunstabzugshaube gesteuert werden.

8.2.1.1 Konfiguration Ventilator-Drehzahl

Die minimale und normale Ventilator Drehzahl kann über interne Potentiometer neben der Lampe eingestellt werden. Die maximale Drehzahl ist nicht einstellbar und beträgt immer 10 V.

Die Potentiometer werden mit einem Schraubendreher eingestellt.

Durch Drehen des Potentiometers ergeben sich unterschiedliche Steuerspannungen zu den Ventilatoren. Um sich ein Bild vom Luftstrom zu machen, der den einzelnen Spannungsausgängen entspricht, siehe 3.2.3 *Leistung*. Die Leistungsdiagramme der Ventilatoren zeigen die Leistungskurven für die Abluft.

Drehzahleinstellung	Spannungsbereich
Niedrigste Drehzahl (1)	1,5-5 V
Normale Drehzahl (2)	2-8 V
Höchste Drehzahl (3)	10 V (nicht änderbar)

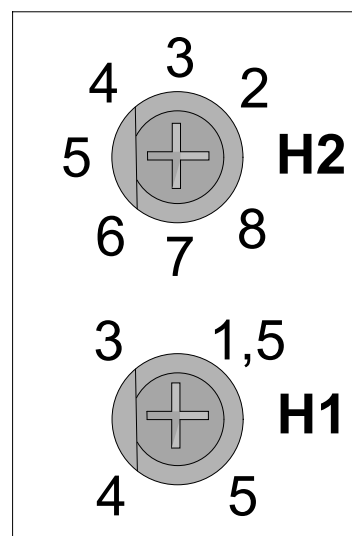


Bild 3 H1 - Spannung Minimaldrehzahl , H2 - Spannung Normaldrehzahl

8.2.2 392-14 Slimline EC

Dieses Produkt ist ab dem 4. Quartal 2018 erhältlich.

Die Dunstabzugshaube ist intern verdrahtet und mit einem Kabel für ein Steuersignal zum Lüftungsgerät (0-10 VDC) und Stromkabel ausgestattet.

Komponente/Produkt – Artikelnummer:

- 392-14 EC Slimline Weiß – 96805

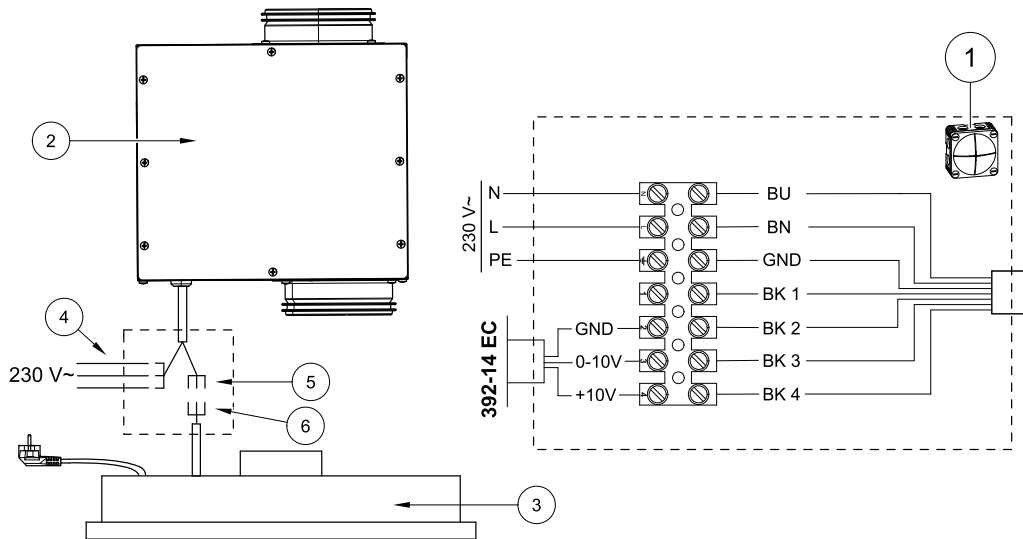


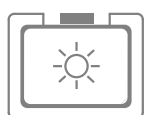
Bild 9 392-14 Slimline EC Anschluss

Installation und Anschluss

1. Entfernen Sie die Abdeckung des Klemmkastens (Pos. 1) durch Drehen der vier Verriegelungen in den Ecken von Position 1 auf Position 0.
 2. Potentiometer, das an den Klemmen 2, 3 und 4 des Klemmblocks angeschlossen ist, herausziehen.
 3. Schließen Sie den 230 V~ Nulleiter (N) an die N-Klemme des Klemmblocks (blaue Ader) an.
 4. Schließen Sie den 230 V~ Phase (L) an die L-Klemme des Klemmblocks (braune Ader) an.
 5. Der Erdungsanschluss ist an der Buchse des Klemmblocks mit dem Erdungssymbol (gelb/grüne Ader) anzuschließen.
 6. Der Schutzleiter (grün) der Steuerleitung ist an Klemme 2 des Klemmblocks anzuschließen.
 7. Verbinden Sie die gelbe Ader (1 - 10V) vom Zubehör mit der Klemme 3 des Klemmblocks.
 8. Verbinden Sie die braune Ader (+10V) vom Zubehör mit der Klemme 4 des Klemmblocks.
 9. Setzen Sie die Abdeckung des Klemmkastens wieder auf und verriegeln Sie sie.
- Einbaueinbauelement kann jetzt mit einer Dunstabzugshaube gesteuert werden.

8.2.2.1 Beschreibung der Steuerung und Konfiguration der Ventilator Drehzahl

Die Bedieneinheit 392-14 Slimline EC-Dunstabzugshaube hat 5 Tasten:



Ein/Ausschalten der Beleuchtung der Dunstabzugshaube.



Klappe öffnen/schließen
Klappe schließt automatisch nach 60 min.



Der Ventilator des Gerätes benötigt eine Mindestspannung (1,5 V). Die Spannung kann von 1,5 V bis 5 V eingestellt werden.



Der Ventilator des Gerätes arbeitet mit mittlerer Geschwindigkeit (2 V). Die Spannung kann von 2 V bis 8 V eingestellt werden.













































Der Ventilator des Gerätes arbeitet mit Maximalgeschwindigkeit (10 V). Die Spannung kann nicht eingestellt werden. Der Ventilator schaltet sich automatisch nach 60 Minuten aus.

Die Spannung wird durch gleichzeitiges Drücken der Klappen- und Ventilator Drehzahl-Taste eingestellt. Jeder Tastendruck auf die Ventilator Drehzahl erhöht die Spannung zum Ventilator. Nach Erreichen der maximal zulässigen Spannung für die gewählte Ventilator Drehzahl wird der Spannungswert auf den Standardwert zurückgesetzt.

Der Spannungswert für jeden Schritt wird unten angezeigt.

Tabelle 1 Konfiguration Ventilator-Drehzahl

Ventilator-drehzahl 1	
Kombination	Spannung. V
Standardwert	1,5
 +  x 1	2
 +  x 2	2,5
 +  x 3	3
 +  x 4	3,5
 +  x 5	4
 +  x 6	4,5
 +  x 7	5
 +  x 8	1,5

Ventilator-drehzahl 2	
Kombination	Spannung. V
Standardwert	2
 +  x 1	2,5
 +  x 2	3
 +  x 3	3,5
 +  x 4	4
 +  x 5	4,5
 +  x 6	5
 +  x 7	5,5
 +  x 8	6
 +  x 9	6,7
 +  x 10	7
 +  x 11	7,5
 +  x 12	8
 +  x 13	2

© Copyright Systemair AB

Med enerett.

NO

Systemair AB forbeholder seg retten til å endre sine produkter uten forvarsel.

Dette gjelder også produkter som allerede er bestilt, så lenge det ikke påvirker tidligere avtalte spesifikasjoner.

Systemair skal ikke holdes ansvarlig, og reklamasjonsrett kan ikke påberopes, dersom installasjon eller service ikke er utført iht. instruksjonene.

1	Samsvarserklæring	65
2	Advarsler	66
3	Produktinformasjon	66
3.1	Generelt	66
3.2	Tekniske data	66
3.2.1	Dimensjoner og vekt	67
3.2.2	Kanaltilkoblinger	68
3.2.3	Kapasitet	68
3.2.4	Koblingsskjema	69
3.3	Transport og lagring	70
4	Installasjon	70
4.1	Installere viftene	70
5	Systeminnstillinger	72
6	Vedlikehold	73
6.1	Viktig	73
6.2	Vedlikeholdsintervaller	73
6.3	Rengjøring av viften	73
7	Feilsøking	75
8	Tilbehør	75
8.1	Regulatorer	75
8.1.1	MTP 10/10K potensiometer, hastighetsregulator	75
8.1.2	MTP 20 3- trinnsregulator	75
8.1.3	Luftfuktighet - Behovsstyring	76
8.1.4	CO2/temp. - Behovsstyring	77
8.2	Kjøkkenhetter	77
8.2.1	251-14 EC	77
8.2.2	392-14 EC Kjøkkenhette slimline	79

1 Samsvarserklæring

Produsent



Systemair UAB
Linų st. 101
LT-20174 Ukmergė, LITAUEN
Tlf.: +370 340 60165 Faks: +370 340 60166
www.systemair.com

bekrefter at:

VEF 1, VEF 2, VEF 4

(Erklæringen gjelder bare for produktet i den tilstanden det var i da det ble levert og montert i anlegget i henhold til den medfølgende installasjonsveiledningen. Forsikringen dekker ikke komponenter som er lagt til, eller handlinger som er utført på produktet i ettertid.)

Samsvarer med kravene i følgende direktiver:

- Maskindirektiv 2006/42/EF
- Lavspenningsdirektivet 2014/35/EU
- EMC-direktivet 2014/30/EU
- Energimerkedirektivet 2009/125/EF

Følgende forskrifter gjelder:

1253/2014	Krav til ventilasjonsaggregater for bolig
1254/2014	Energimerking av ventilasjonsaggregater til boliger
327/2011	Krav til vifter over 125 W

Følgende harmoniserte standarder gjelder:

EN ISO 12100:2010	Maskinsikkerhet – Hovedprinsipper for konstruksjon – Risikovurdering og risikoreduksjon
EN 13857	Maskinsikkerhet – Sikkerhetsavstander for å hindre at faresoner nås av armer eller bein
EN 60 335-1	Husholdningsapparater og lignende elektriske apparater – Sikkerhet – Del 1: Generelle krav
EN 60 335-2-40	Sikkerhet for husholdningsapparater og lignende elektriske apparater – Del 2-40: Særskilte krav for strømdrevne varmepumper, airconditionanlegg og avfuktere
EN 62233	Metode for måling av elektromagnetiske felt i husholdningsapparater og lignende med hensyn til stråling
EN 50 106:2007	Sikkerhet for husholdningsapparater og lignende apparater – Spesielle regler for rutinemessige tester med hensyn til apparater dekket av EN 60 335-1 og EN 60967
EN 61000-6-2	Elektromagnetisk kompatibilitet (EMC) – Del 6-2: Generiske standarder – Immunitet for industrielle miljøer
EN 61000-6-3	Elektromagnetisk kompatibilitet (EMC) – Del 6-3: Generiske standarder – utslippsstandarder for private, kommersielle og lettindustrielle omgivelser

Skinnskatteberg, 21-09-2017

Mats Sándor

Teknisk sjef

2 Advarsler

Følgende advarsler finnes i dokumentet:



Fare

Indikerer en mulig eller overhengende farlig situasjon som, dersom den ikke unngås, kan føre til tap av liv eller alvorlig personskade.



Advarsel

Indikerer en mulig farlig situasjon som kan føre til mindre eller moderat personskade.



Forsiktig

Indikerer en risiko for å skade produktet eller hindre optimal drift.

3 Produktinformasjon



Forsiktig

- Det må tas forholdsregler for å hindre tilbakestrømning av avgasser fra røykkanaler fra andre apparater som er installert i samme rom, og som drives av gass eller annet drivstoff.
- Viften kan brukes av barn fra 8 år og oppover og personer med nedsatte fysiske, sensoriske og mentale evner eller manglende erfaring og kunnskap dersom de er under tilsyn eller har fått instruksjoner om bruk av viften på en sikker måte og forstår farene forbundet med det. Barn må ikke leke med viften. Barn må ikke utføre rengjøring og vedlikehold uten tilsyn

3.1 Generelt

Denne håndboken omhandler VEF 1 VEF 2, VEF 4 produsert av Systemair AB.

Viftene leveres med potensiometer, 0-10 V. Det integrerte potensiometeret er fabrikkinnstilt til 10 V. Denne verdien kan endres manuelt for å oppnå annet turtall. Ved behov kan et eksternt potensiometer kobles til. I så fall må det interne potensiometeret kobles fra rekkeklemmene.

I denne veiledningen finner du grunnleggende informasjon og anbefalinger angående konstruksjon, installasjon, oppstart og drift, slik at du kan sikre riktig og feilfri drift av aggregatet. Nøkkelen til riktig og trygg drift er å lese denne veiledningen grundig, bruke aggregatet i henhold til de angitte retningslinjene og følge alle sikkerhetskrav.

Avtrekksvifter er beregnet for transport av luft i ventilasjonssystemer. Viftene er ment til bruk i kanalsystemer, og de skal alltid kobles til kanal på inntakssiden. Etter installasjon skal det ikke være mulig å berøre bevegelige deler i systemet. Avtrekksvifter er tilpasset kontinuerlig drift.

Produkt- og artikkelnummer:

- VEF 1 – 88685
- VEF 2 – 88684
- VEF 4 – 88686

3.2 Tekniske data

Sikker driftstemperatur er mellom -25°C og +40°C.

3.2.1 Dimensjoner og vekt

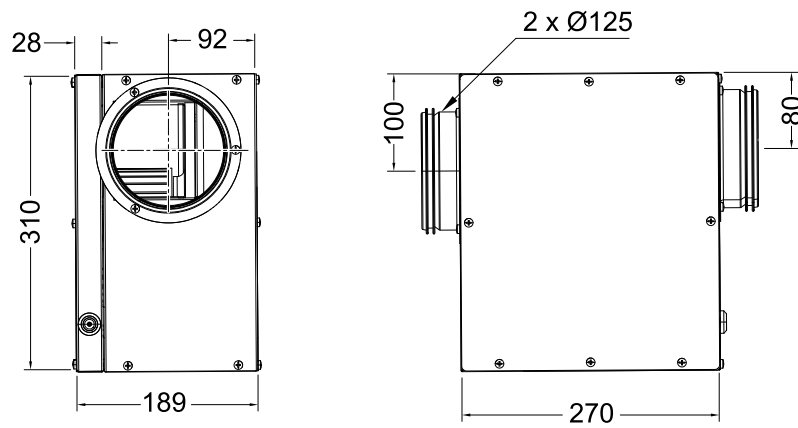


Fig. 1 Dimensjonene på VEF 1 vifte

Vekten til VEF 1 vifte er 6,25 kg.

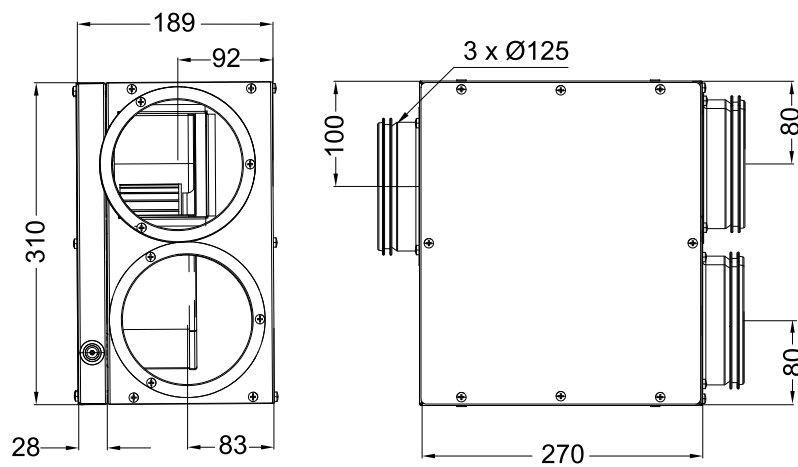


Fig. 2 Dimensjonene på VEF 2 vifte

Vekten til VEF 2 vifte er 6,25 kg.

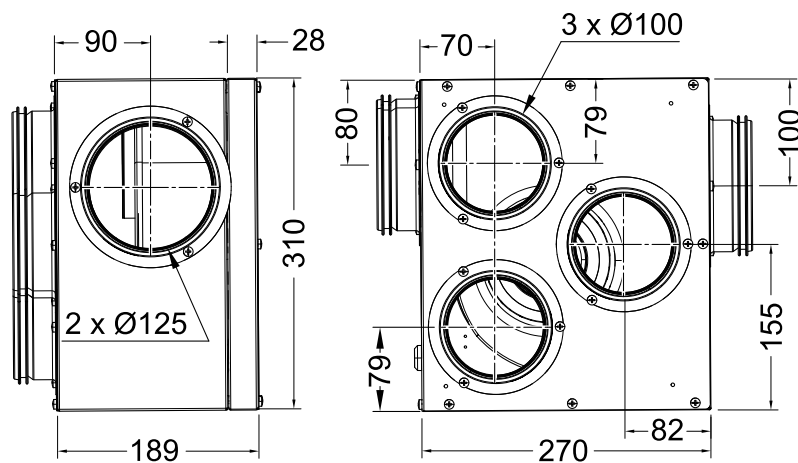
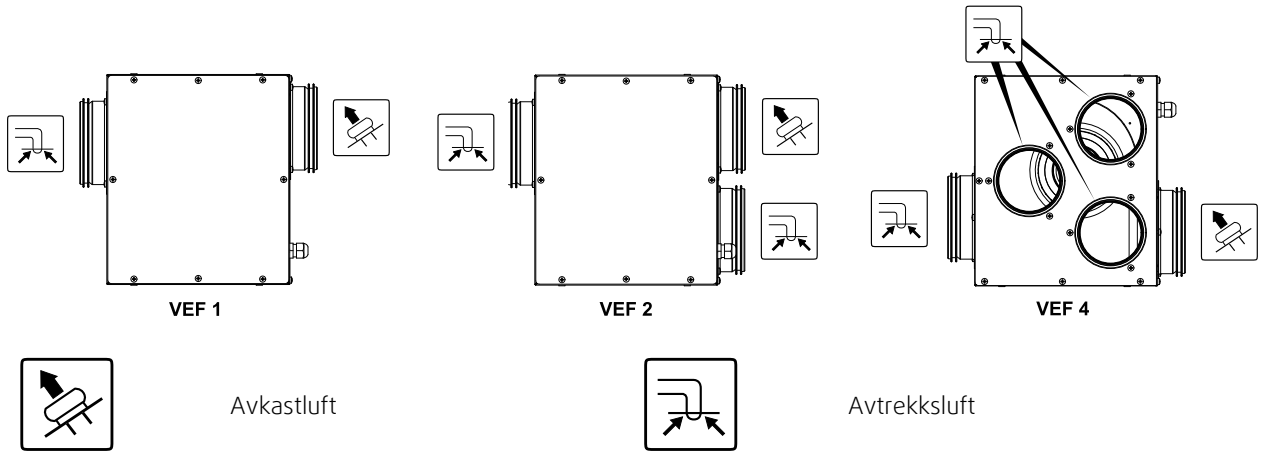


Fig. 3 Dimensjonene på VEF 4 vifte

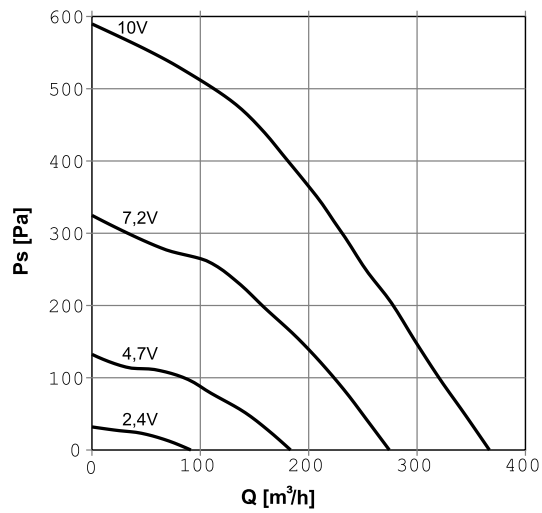
Vekten til VEF 4 vifte er 6,335 kg.

3.2.2 Kanaltilkoblinger

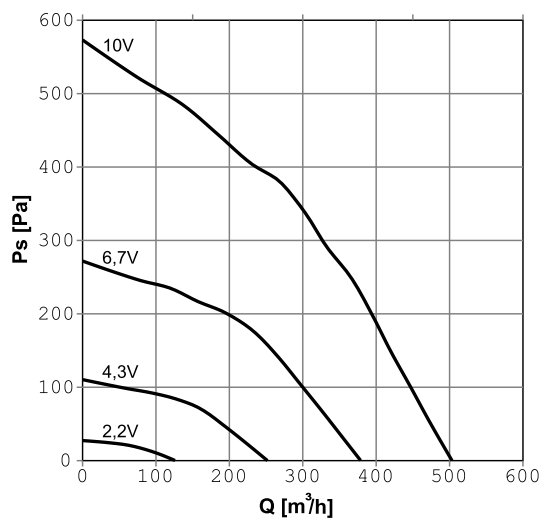


3.2.3 Kapasitet

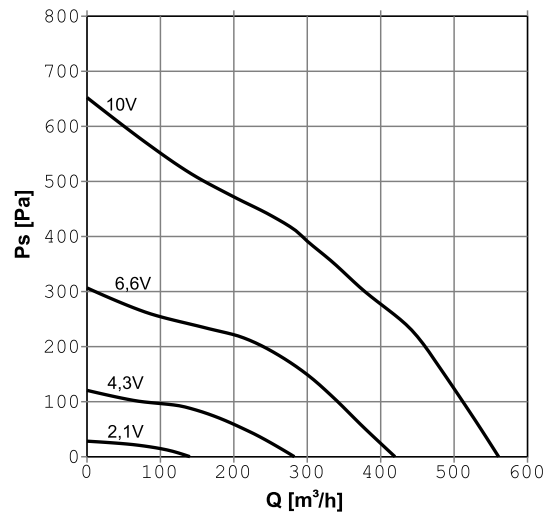
3.2.3.1 VEF 1 kapasitetsdiagram



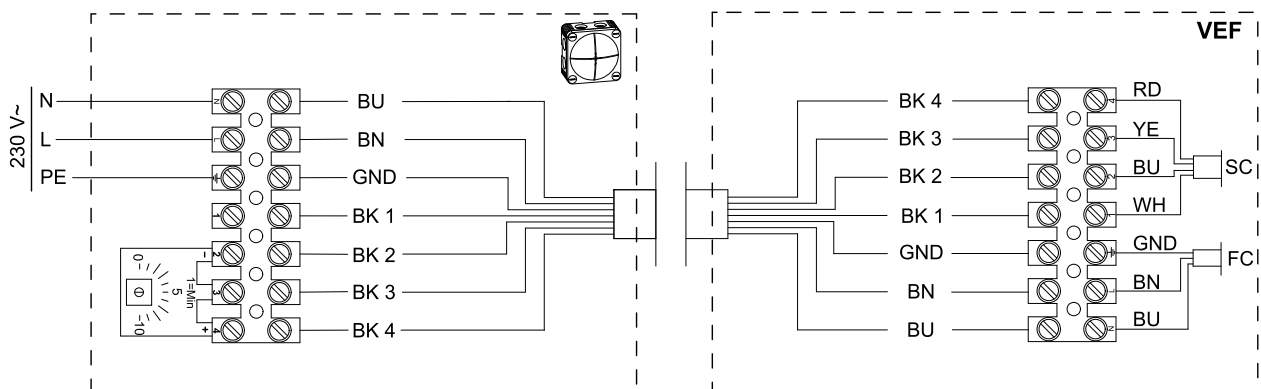
3.2.3.2 VEF 2 kapasitetsdiagram



3.2.3.3 VEF 4 kapasitetsdiagram



3.2.4 Koblingskjema



L	Strømtilkobling, fase, se merkeskilt for spenningsområde
N	Strømtilkobling, nøytral leder, se merkeskilt for spenningsområde
PE	Jordforbindelse
1	Ikke i bruk. Takoutgang, åpen kollektor, 1 puls per omdreining, maks = 10 mA, SELV
2 (-)	Referansegrunnlag for kontrollgrensesnitt, SELV
3	0-10 V / PWM kontrollinngang, Ri = 100 kΩ, SELV
4 (+)	Spenningsutgang 10 VDC +/- 3%, maks. 10 mA, kortslutningssikker strømforsyning for ekst. enheter, SELV
BU	Blå
BN	Brun
BK	Svart
GND	Jord
RD	Rød
YE	Gul
WH	Hvit
SC	Signalkabel
FC	Viftekabel

3.3 Transport og lagring

Alle vifter er pakket for å kunne tåle normal godshåndtering. Under godshåndtering er det viktig å bruke tilpasset løfteanordning, slik at skade på vifter og personer unngås. Unngå støt og slag. Oppbevar viftene på et tørt sted, beskyttet mot smuss, vær og vind, inntil endelig montering finner sted.



Advarsel

- Aggregatet er tungt. Vær forsiktig under transport og montering. Fare for klemskade. Bruk beskyttelsesklær.
- Løft ikke viftene etter ledningen, koblingsboksen, motorbraketten, viftehjulet eller innløpstrakten til viftehjulet.

4 Installasjon



Fare

- Kontroller at aggregatet er frakoblet nettstrømforsyningen før du utfører vedlikehold eller elektrisk arbeid!
- Alt elektrisk arbeid må utføres av autorisert installatør i henhold til gjeldende forskrifter.



Advarsel

- Før elektrisk tilkobling til strømforsyningen, skal det være en allpolig skillebryter med klaring på minimum 3 mm.
- Løft ikke viftene etter ledningen, koblingsboksen, motorbraketten, viftehjulet eller innløpstrakten til viftehjulet.
- Viftene skal ikke brukes i brannfarlige eller eksplosive miljøer eller tilsluttes røykgasskanaler.
- Apparatet må kobles til automatsikring i den faste installasjonen.

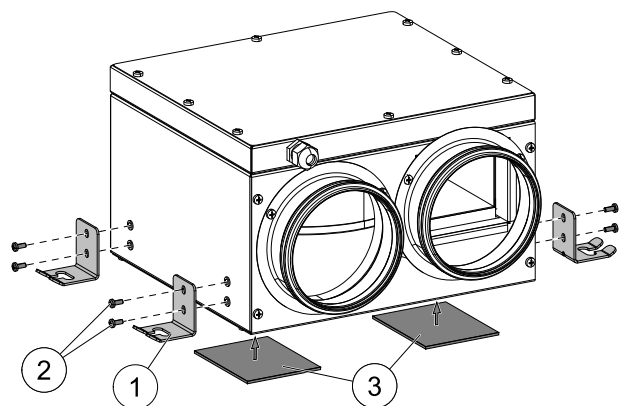


Forsiktig

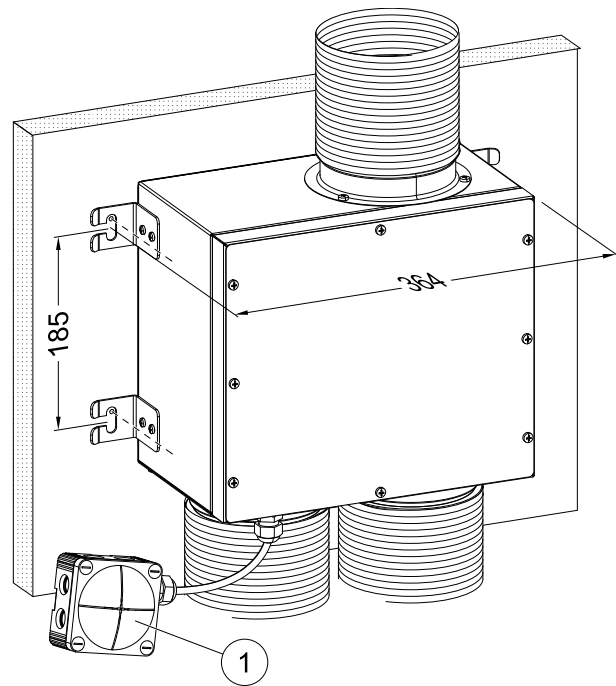
- Påse at berøringsbeskyttelse er montert (EN ISO 13857). Etter installasjon skal det ikke være mulig å berøre bevegelige deler i systemet.
- Sikkerhetsdetaljer (f.eks. motorvern og berøringsbeskyttelse) skal ikke demonteres, forbikobles eller frakobles.

4.1 Installere viftene

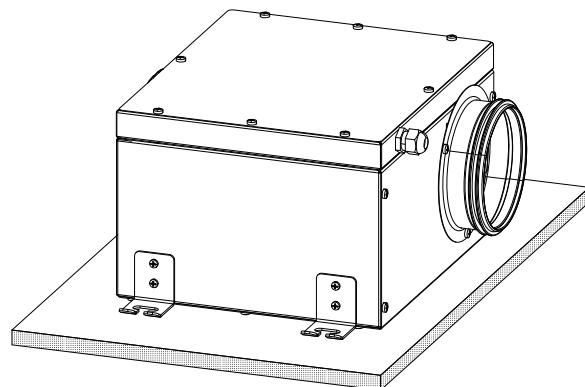
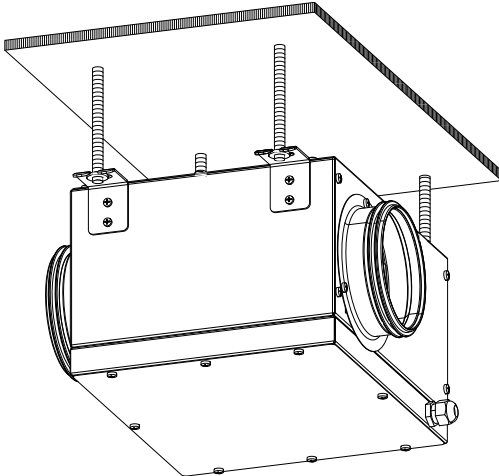
- 1 Monter fire festebreketter (pos. 1) til dedikerte posisjoner på sidene av viftehuset. Bruk medfølgende skruer (pos. 2). Dette trinnet kan hoppes over hvis festebreketter ikke skal brukes. Fest de vedlagte selvklebende anti-vibrasjonsgummene på viften.



- 2 Monter viften på ønsket sted. Viften kan installeres på alle posisjoner og steder: gulv, vegg, tak.
Ta av dekselet på koblingsboksen (pos. 1) ved å dreie fire låser i hvert hjørne fra posisjon 1 til 0.



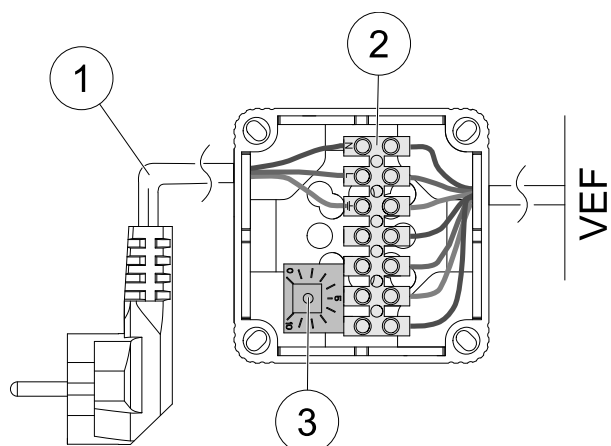
Andre installasjonsalternativer:



- 3 Før strømledningen (pos. 1) gjennom hullet på siden av koblingsboksen. Koble ledninger til rekkeklemmen (pos. 2) i henhold til koblingsskjemaet (3.2.4 *Koblingsskjema*, side 69).
Viftehastigheten kan økes/redueres ved å dreie skruen på potensiometeret (pos. 3) fra posisjon 1 til 10.

- 1 - minimumshastighet
- 10 - maksimal hastighet

- 4 Sett tilbake dekselet på koblingsboksen og lås den.



5 Systeminnstillinger



Fare

- Alt elektrisk arbeid må utføres av autorisert installatør i henhold til gjeldende forskrifter.

Før driftsstart skal følgende kontrolleres:

- Elektrisk tilkobling er slutført.
- Jordkabel er tilkoblet.
- Sikkerhetsanordninger er montert (berøringsbeskyttelse).
- Ingen fremmedlegemer befinner seg i viften.

Test av installasjonen:

- Det kan være nødvendig med justeringer i koblingsboksen ved testing (dvs. justering av potensiometeret), men lokket må være lukket under drift.

Ved igangsetting kontrolleres følgende:

- At oppgitte data på viftens typeskilt ikke overskrides: Maksimal tillatt spenning +6 %, -10 % jf. IEC 38. Merkestrøm må ikke overskrides med mer enn 5 % ved merkespenning.
- Rotasjonsretning på viftehjulet skal stemme overens med rotasjonsretningspilen (3-fase).
- At det ikke kommer ulyder fra viften.

6 Vedlikehold

6.1 Viktig



Fare

- Strømmen må kobles fra (allpolig skillebryter) før service og vedlikehold utføres. Pass også på at viftehjulet har stoppet helt.
- Kontroller at aggregatet er frakoblet nettstrømforsyningen før du utfører vedlikehold eller elektrisk arbeid!
- Sikkerhetsdetaljer (f.eks. motorvern og berøringsbeskyttelse) skal ikke demonteres, forbikobles eller frakobles.
- Viftehjulet har stoppet.
- Hvis strømledningen er skadet, må den erstattes av produsenten, serviceagenten eller tilsvarende kvalifiserte personer for å unngå fare.
- Aggregatet er tungt. Vær forsiktig under transport og montering. Fare for klemskade. Bruk beskyttelsesklær.
- Løft ikke viftene etter ledningen, koblingsboksen, motorbraketten, viftehjulet eller innløpstrakten til viftehjulet.

6.2 Vedlikeholdsintervaller

Viften skal rengjøres ved behov, dog minst en gang per år, for å unngå ubalanse og unødige lagerskader. Viftens lager er vedlikeholdsfrie og skal bare byttes ved eventuelle skader. Viften må ikke rengjøres med høytrykksspyler. Utvis forsiktighet ved rengjøring, slik at viftehjulets balansevekter ikke blir forskjøvet eller at viftehjulet deformeres. Kontroller at det ikke kommer ulyder fra viften.

6.3 Rengjøring av viften



Advarsel

- Kontroller at aggregatet er frakoblet nettstrømforsyningen før du utfører vedlikehold eller elektrisk arbeid!
- Viftehjulet har stoppet.
- Aggregatet er tungt. Påse at motorbraketten er festet til låsen for å hindre at motoren faller ned ved vedlikeholdsarbeid.



Fare

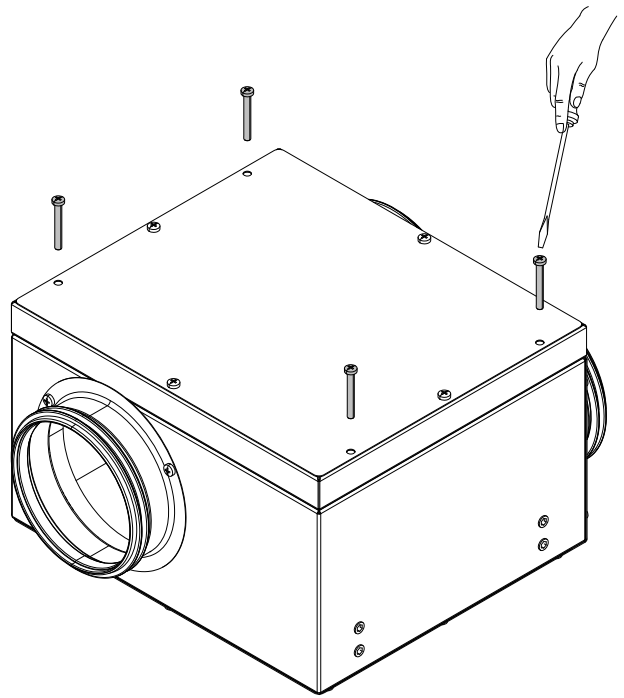
- Påse at motoren ikke faller ned.



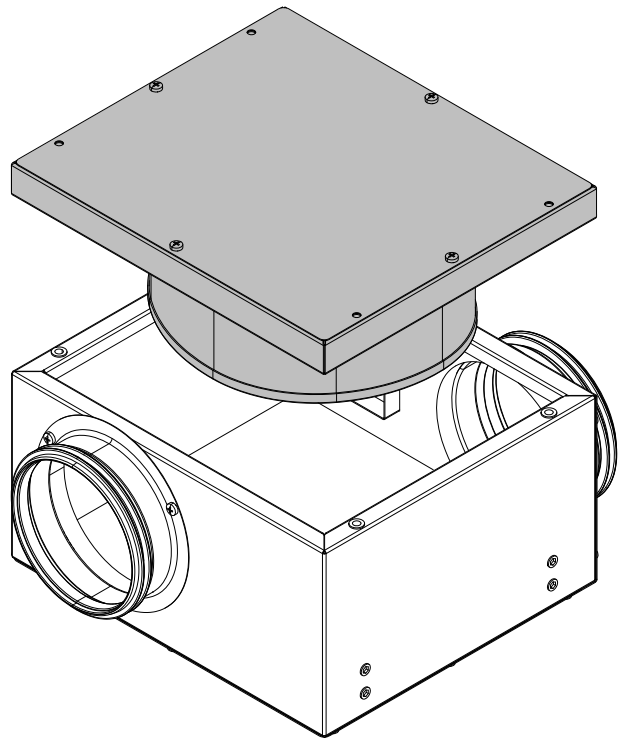
Forsiktig

- Se opp for skarpe kanter under vedlikeholdsarbeid. Bruk vernehansker. Fare for klemskade.
- Viftene kan ha skarpe kanter og hjørner som kan forårsake skader. Vær forsiktig når viftene åpnes, ettersom motoren som er montert på motorbraketten er forholdsvis tung.

- 1 Fjern fire skruer i hvert hjørne.



- 2 Løft dekselet forsiktig. Rengjør viften.
- 3 Sett på dekselet igjen og fest det med de tidligere fjernede skruene.



7 Feilsøking

Følgende gjelder dersom viften har stanset:

- Prøv å starte viften igjen ved å koble fra strømmen et par minutter.
- Påse at viftehjulet ikke har kilt seg fast. Koble fra strømmen og fjern eventuelle hindringer. Kontroller at viften starter etter å ha satt på strømmen igjen. Kontakt forhandleren dersom viften ikke starter.

8 Tilbehør



Fare

- Kontroller at aggregatet er frakoblet nettstrømforsyningen før du utfører vedlikehold eller elektrisk arbeid!
- Alt elektrisk arbeid må utføres av autorisert installatør i henhold til gjeldende forskrifter.

8.1 Regulatorer

8.1.1 MTP 10/10K potensiometer, hastighetsregulator

Hastighetsregulator for manuell styring av hastighet og luftmengde til Avtrekksvifter.

Komponent/produkt – varenummer:

- MTP 10, 10K, potensiometer– 32731

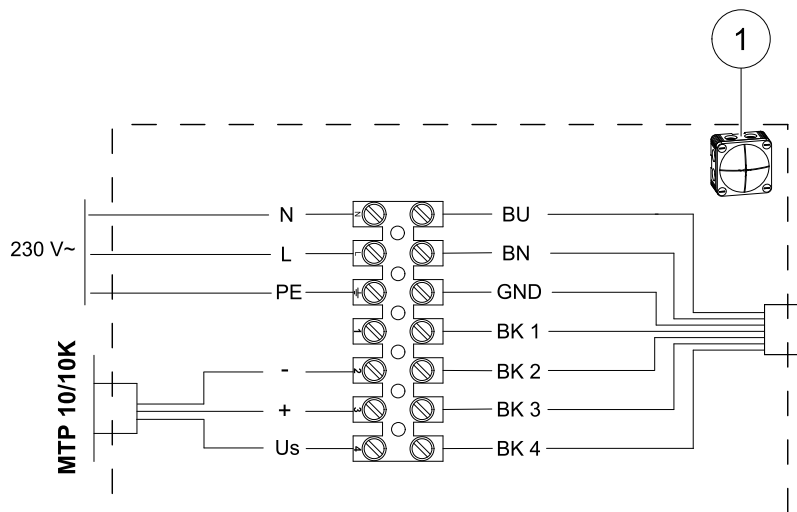


Fig. 4 Tilkobling av regulator

Installasjon og tilkobling

1. Ta av dekselet på koblingsboksen (pos. 1) ved å dreie fire låser i hvert hjørne fra posisjon 1 til 0.
 2. Trekk ut eksisterende potensiometeret som er koblet til rekkeklemme 2, 3 og 4.
 3. Koble til + (4) på tilbehøret til kontakt 3 på rekkeklemmen i vifte.
 4. Koble til - (5) på tilbehøret til kontakt 2 på rekkeklemmen i vifte.
 5. Koble til Us-merket ledning til kontakt 4 på rekkeklemmen i vifte.
 6. Sett tilbake dekselet på koblingsboksen og lås den.
- Avtrekksvifter kan nå styres med en ekstern regulator.

8.1.2 MTP 20 3-trinnsregulator

Et 3-trinns potensiometer for hastighetskontroll med på og av-funksjon. 10 V forsyningsspenningen blir omgjort til tre trinn for å oppnå minimum, middels og maksimal posisjon. Posisjon 1 og 2 kan justeres etter behov.

Komponent/produkt – varenummer:

- MTP 20, av/på, 3-steg – 310220

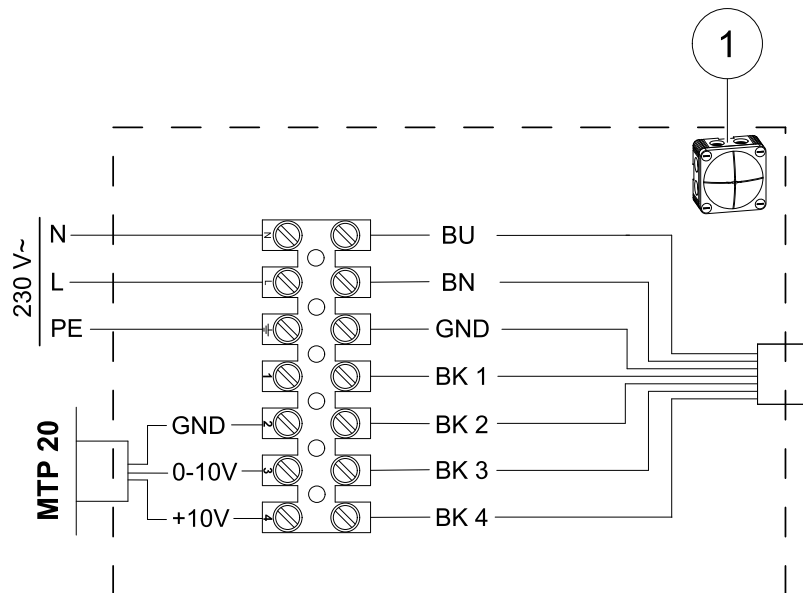


Fig. 5 Tilkobling av regulator

Installasjon og tilkobling

1. Ta av dekselet på koblingsboksen (pos. 1) ved å dreie fire låser i hvert hjørne fra posisjon 1 til 0.
 2. Trekk ut eksisterende potensiometeret som er koblet til rekkeklemme 2, 3 og 4.
 3. Dette trinnet kan hoppes over dersom strømforsyningen allerede er tilkoblet.
Led strømledningen gjennom hullet på siden av koblingsboksen. Koble ledninger til rekkeklemmen i henhold til koblingskjemaet.
 4. Koble rød ledning (+10V) fra tilbehøret til inngang 4 på rekkeklemmen.
 5. Koble den blå (GND) ledningen fra tilbehøret til inngang 2 på rekkeklemmen.
 6. Koble reguleringsinngang- (1-10V) ledningen fra tilbehøret til inngang 3 på rekkeklemmen .
 7. Sett tilbake dekselet på koblingsboksen og lås den.
- Avtrekksvifter kan nå styres med en ekstern regulator.

8.1.3 Luftfuktighet - Behovsstyring

Regulatoren sammenlikner fuktighet i rommet med innstilt børverdi, og regulerer et 0-10V utsignal til EC vifte. Utsignalet har PI-algoritme med direkte eller omvendt funksjon, basert på innstilling av lask JP1. Energiforbruket som kreves for å opprettholde inneklimate reduseres betraktelig.

Komponent/produkt – varenummer:

- EC-Basic-H fuktregulator – 24807

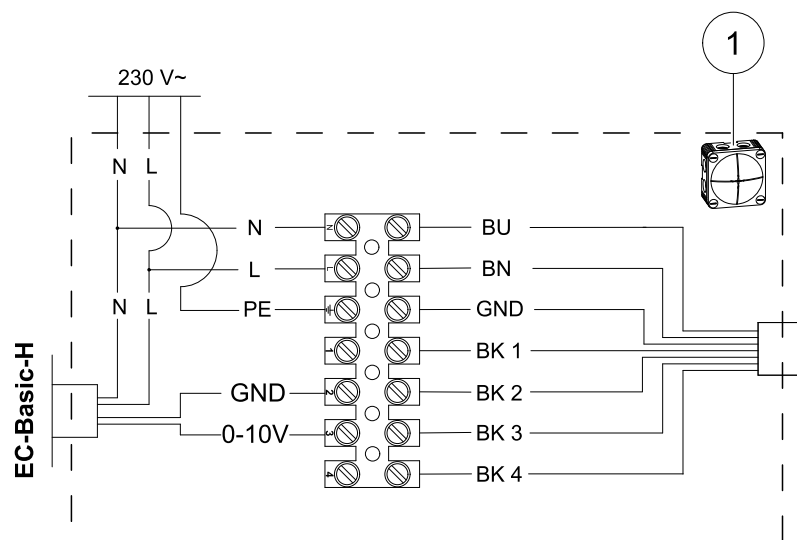


Fig. 6 Tilkobling av regulator

Installasjon og tilkobling

1. Ta av dekselet på koblingsboksen (pos. 1) ved å dreie fire låser i hvert hjørne fra posisjon 1 til 0.
 2. Trekk ut eksisterende potensiometeret som er koblet til rekkeklemme 2, 3 og 4.
 3. Koble til 0-10V (4) på tilbehøret til kontakt 3 på rekkeklemmen i vifte.
 4. Koble til GND (5) på tilbehøret til kontakt 2 på rekkeklemmen i vifte.
 5. Koble 230 V – Nøytral (N) ledning til tilbehøret og N-kontakten på rekkeklemmen i vifte (blå ledning).
 6. Koble 230 V – Fase (L) ledningen til tilbehøret og L-kontakten på rekkeklemmen i vifte (brun ledning).
 7. Jordforbindelse skal kobles til inngang med jordsymbol på rekkeklemmen i vifte (gul/grønn ledning).
 8. Sett tilbake dekselet på koblingsboksen og lås den.
- VEF reguleres nå i henhold til innendørs fuktighetsnivå nå.

8.1.4 CO₂/temp. - Behovsstyring

Regulatoren sammenlikner aktuell romtemperatur med innstilt børverdi, og regulerer et 0-10V utsignal til EC vifte. Ut-signalet har PI-algoritme med direkte eller omvendt funksjon, basert på innstilling av lask JP1. Regulatoren sammenlikner også aktuell CO₂ nivå med innstilt børverdi (SW3), og regulerer et sekundært proposjonalt 0-10V internt signal med direkte funksjon. Utsignalet til vifte utgjør maksverdien mellom intern signal # 1 og intern signal # 2.

Komponent/produkt – varenummer:

- EC-Basic-CO₂ og temp. regulator – 24808

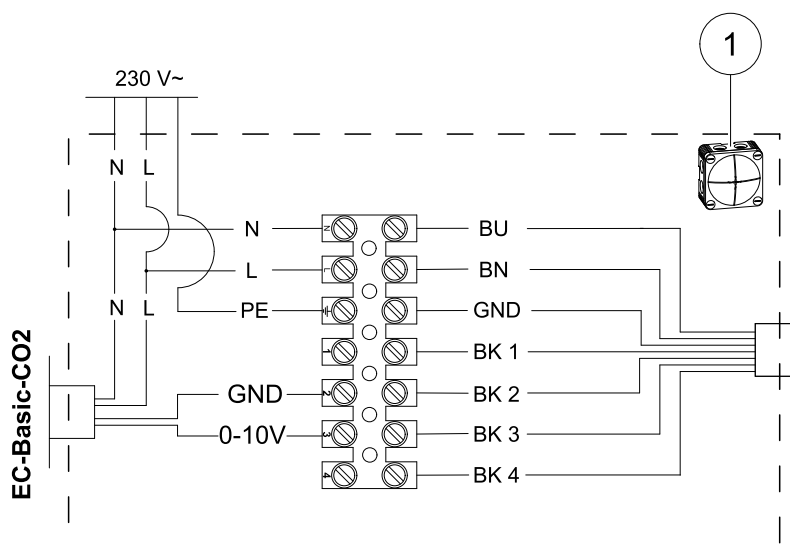


Fig. 7 Tilkobling av regulator

Installasjon og tilkobling

1. Ta av dekselet på koblingsboksen (pos. 1) ved å dreie fire låser i hvert hjørne fra posisjon 1 til 0.
 2. Trekk ut eksisterende potensiometeret som er koblet til rekkeklemme 2, 3 og 4.
 3. Koble til 0-10V (4) på tilbehøret til kontakt 3 på rekkeklemmen i vifte.
 4. Koble til GND (5) på tilbehøret til kontakt 2 på rekkeklemmen i vifte.
 5. Koble 230 V – Nøytral (N) ledning til tilbehøret og N-kontakten på rekkeklemmen i vifte (blå ledning).
 6. Koble 230 V – Fase (L) ledningen til tilbehøret og L-kontakten på rekkeklemmen i vifte (brun ledning).
 7. Jordforbindelse skal kobles til inngang med jordsymbol på rekkeklemmen i vifte (gul/grønn ledning).
 8. Sett tilbake dekselet på koblingsboksen og lås den.
- VEF reguleres nå i henhold til CO₂ og temperatur₂- nivåene innendørs nå.

8.2 Kjøkkenhetter

Disse kjøkkenhettene er konstruert for å kunne kobles til viftene Avtrekksvifter.

8.2.1 251-14 EC

Dette produktet vil være tilgjengelig i 4. kvartal 2018.

Kjøkkenheten er ferdig innvendig kablet og utstyrt med kabler med hurtigkoblinger for henholdsvis 230 V~ og styresignal til avtrekksvifte (0-10 VDC).

Komponent/produkt – varenummer:

- 251-14 EC kjøkkenette rustfritt stål – 96803
- 251-14 EC kjøkkenette hvit – 96804

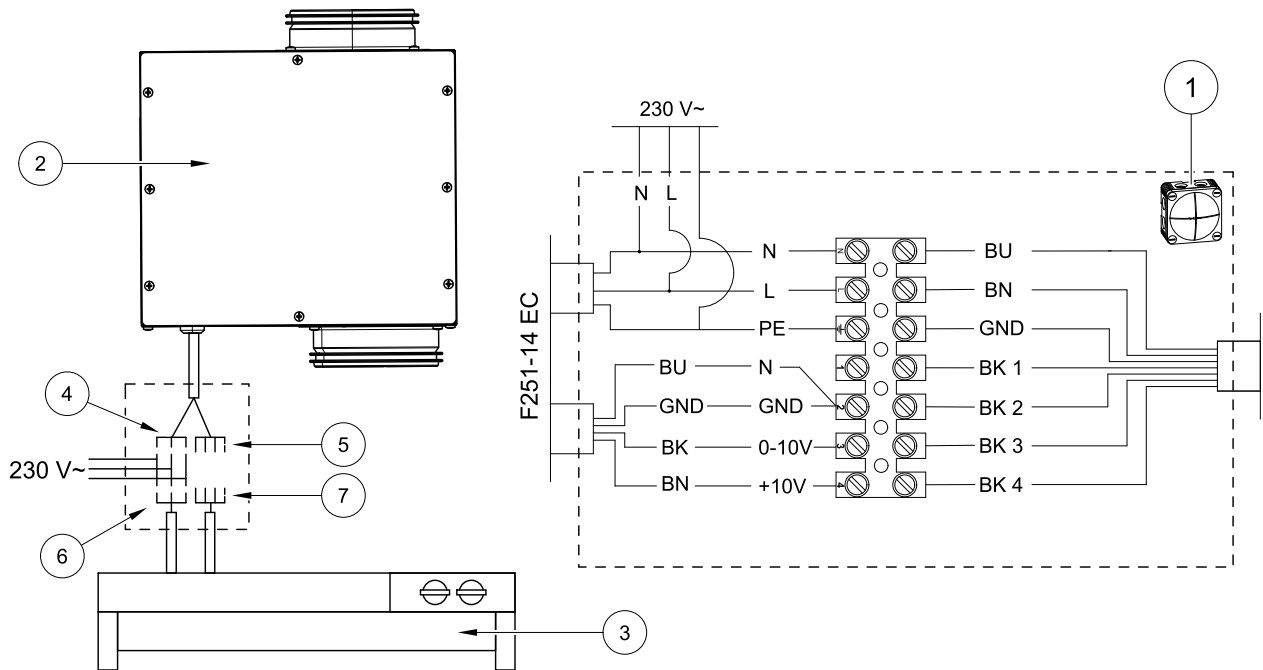


Fig. 8 251-14 EC kjøkkenette tilkobling

Posisjon	Beskrivelse
1	Koblingsboks
2	Avtrekksvifter
3	251-14 EC
4	Strømforsyning (230 V~)
5	Styresignal (10 VDC)
6	Hurtigkobling (230 V~)
7	Hurtigkobling (styresignal 10 VDC)

Installasjon og tilkobling

1. Ta av dekelet på koblingsboksen (pos. 1) ved å dreie fire låser i hvert hjørne fra posisjon 1 til 0.
2. Trekk ut eksisterende potensiometeret som er koblet til rekkeklemme 2, 3 og 4.
3. Fjern hurtigkobling (pos. 6) fra strømforsyningskabel til komfyrheten (pos. 3)
4. Koble 230 V ~ nøytral (N) ledning til tilbehøret og N-kontakten på rekkeklemmen i vifte(blå ledning).
5. Koble 230 V ~ fase (L) ledningen til tilbehøret og L-kontakten på rekkeklemmen i vifte(brun ledning).
6. Jordforbindelse skal kobles til inngang med jordsymbol på rekkeklemmen i vifte(gul/grønn ledning).
7. Fjern hurtigkobling (pos. 7) fra signalkabel på komfyrheten (pos. 3)
8. Koble den blå ledningen (N) fra tilbehøret til inngang 2 på rekkeklemmen.
9. Jordledning (gul/grønn) fra signalkabelen skal kobles til inngang 2 på rekkeklemmen.
10. Koble svart ledning (1-10V) fra tilbehøret til inngang 3 på rekkeklemmen.
11. Koble den brune ledningen (+10V) fra tilbehøret til inngang 4 på rekkeklemmen.
12. Sett tilbake dekelet på koblingsboksen og lås den.

Avtrekksvifter kan nå styres av en komfyrhette.

8.2.1.1 Konfigurering av viftehastighet

Det er mulig å justere minimum og normal viftehastighet med de innebygde potensiometrene som er plassert ved siden av lampen. Maksimal hastighet er ikke justerbar, er alltid 10 V.

Potensiometrene justeres med et skrujern.

Ved å dreie på potensiometeret endres styrespenning til viften. Se 3.2.3 *Kapasitet* for å få et inntrykk av luftmengden som tilsvarer hvert spenningsstrinn. Viftediagrammene viser ytelseskurvene for avtrekksluft.

Hastighetstrinn	Spenningsområde
Minimum hastighet (1)	1,5-5 V
Normal hastighet (2)	2-8 V
Maksimal hastighet (3)	10 V (kan ikke endres)

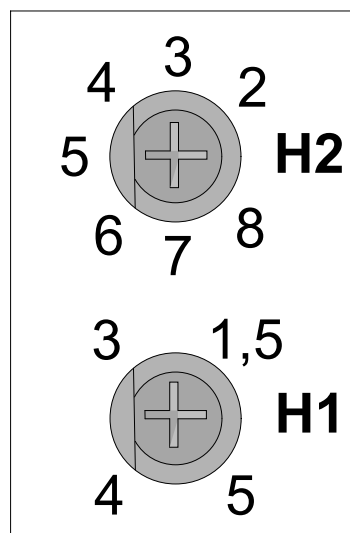


Fig. 4 H1 – spenning ved minimum hastighet, H2 – spenning ved normal hastighet

8.2.2 392-14 EC Kjøkkenhette slimline

Dette produktet vil være tilgjengelig i 4. kvartal 2018.

Kjøkkenhetten har innebygde kabler og er utstyrt med kabel som sender et styresignal til avtrekksviften (0-10 VDC) og strømkabel.

Komponent/produkt – varenummer:

- 392-14 EC Slimline hvit – 96805

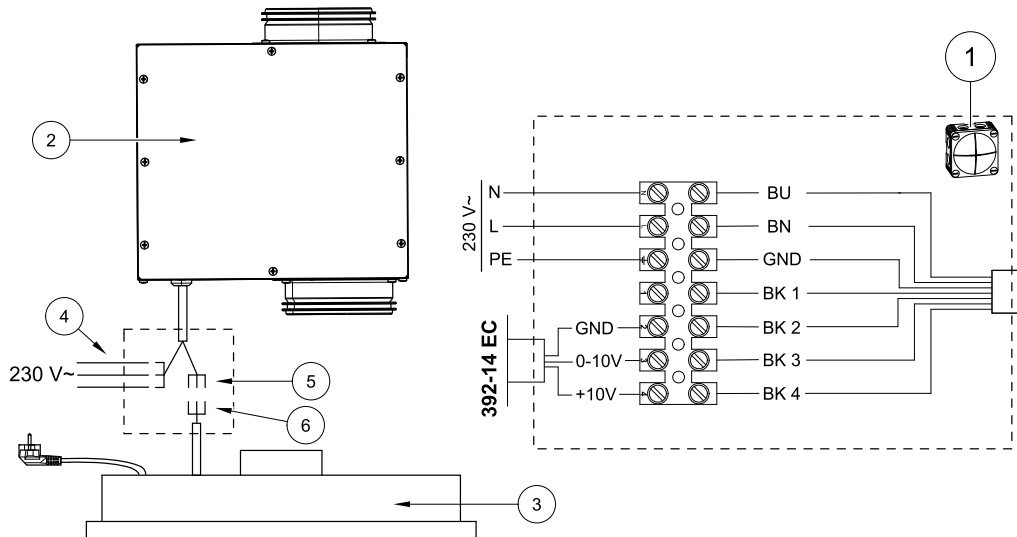


Fig. 9 392-14 EC Slimline - tilkobling

Installasjon og tilkobling

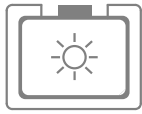
1. Ta av dekslet på koblingsboksen (pos. 1) ved å dreie fire låser i hvert hjørne fra posisjon 1 til 0.
2. Trekk ut eksisterende potensiometeret som er koblet til rekkeklemme 2, 3 og 4.
3. Koble 230 V ~ nøytral (N) ledning til N-kontakten på rekkeklemmen i vifte (blå ledning).
4. Koble 230 V ~ fase (L) ledningen til L-kontakten på rekkeklemmen i vifte (brun ledning).
5. Jordforbindelse skal kobles til inngang med jordsymbol på rekkeklemmen i vifte (gul/grønn ledning).
6. Jordledning (grønn) fra signalkabelen skal kobles til inngang 2 på rekkeklemmen.
7. Koble gul ledning (1-10V) fra tilbehøret til inngang 3 på rekkeklemmen.
8. Koble den brune ledningen (+10V) fra tilbehøret til inngang 4 på rekkeklemmen.

9. Sett tilbake dekselet på koblingsboksen og lås den.

Avtrekksvifter kan nå styres av en komfyrhette.

8.2.2.1 Styring og konfigurering av viftehastighet

Styrepanelet på 392-14 EC kjøkkenhette Slimline har 5 knapper:



Slå på/av lys til kjøkkenhette.



Åpne/lukke spjeld
Spjeldet lukkes
automatisk etter 60
min.



Vifte går med lav
hastighet (1,5 V).
Spenningen kan
justeres fra 1,5 V til 5
V.



Vifte går med normal
hastighet (2 V).
Spenningen kan
justeres fra 2 V til 8
V.














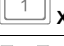

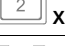












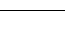
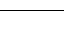














Vifte går med
maksimal hastighet
(10 V).
Spenningen kan ikke
justeres.
Viften går
automatisk til trinn 1
(minimum) etter 60
min.

Spenningen justeres ved å trykke på spjeldknappen og viftehastighetsknappen samtidig. Hver trykk på viftehastighetsknappen øker spenningen til vifte med 0,5 V. Etter at den maksimale tillatte spenningen for den valgte viftehastigheten er nådd, tilbakestilles spenningsverdien til standardverdien.

Spenningsverdien for hvert trinn vises under.

Tabell 1 Konfigurering av viftehastighet

Viftehastighet 1		Viftehastighet 2	
Kombinasjon	Spenning, V	Kombinasjon	Spenning, V
Standardverdi	1,5	Standardverdi	2
 +  x 1	2	 +  x 1	2,5
 +  x 2	2,5	 +  x 2	3
 +  x 3	3	 +  x 3	3,5
 +  x 4	3,5	 +  x 4	4
 +  x 5	4	 +  x 5	4,5
 +  x 6	4,5	 +  x 6	5
 +  x 7	5	 +  x 7	5,5
 +  x 8	1,5	 +  x 8	6
		 +  x 9	6,7
		 +  x 10	7
		 +  x 11	7,5
		 +  x 12	8
		 +  x 13	2



www.systemair.com